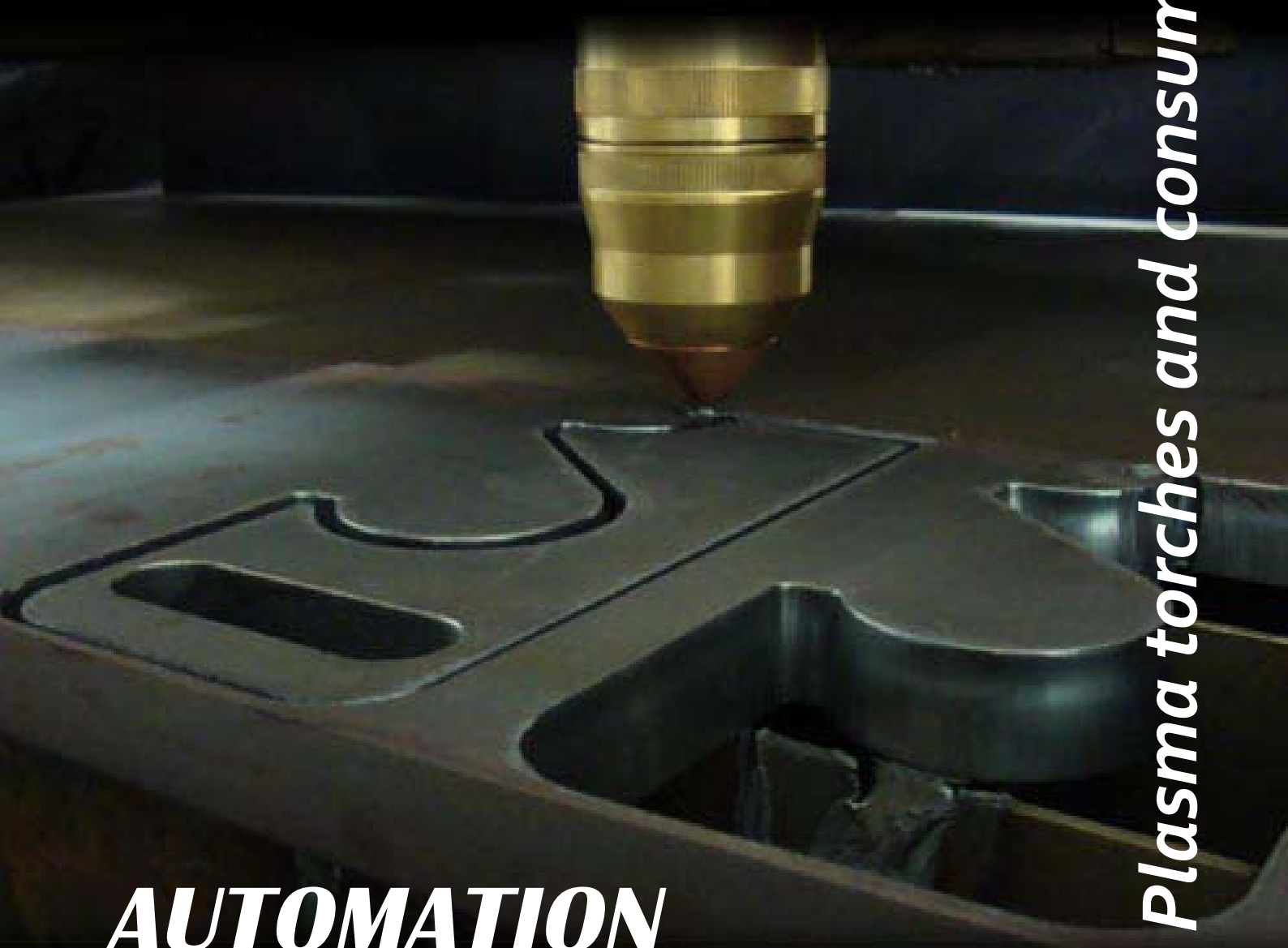


**TEC.MO.®**

*Plasma torches and consumables*



***AUTOMATION***



For **over 25 years TEC.MO.** is **world-leader** in manufacturing torches, consumables and accessories for plasma cutting.

We are specialized in copper machining, by means of sophisticated tools and equipments, which let us reach and keep a very highly qualified production level, our technicians having considerable and proved experience.

Our consumables are manufactured with Computerized Numerical Control and Multispindle lathes in order to obtain very accurate tolerances.

We keep under tight control the several operation schedules at any stage of the production process, each article passing through even 5 or 6 quality inspection tests before being stocked for available delivery.

**Torch packages and heads** are **tested one by one**, to grant the maximum reliability.

Our **comprehensive stockholding** of standard products enables **prompt** and **efficient** deliveries.

On request, we can manufacture any exclusive further part from print.

With the **laser marking** we can personalize our torch packages and consumables, and it's also possible to have these latter in clamp-shells, telescopic tubes or thermowelded plastic bags.

Our strong points are : **QUALITY – SERVICE – COOPERATION**

---

Da **oltre 25 anni TEC.MO.** è **leader mondiale** nella produzione di torce, parti di consumo e accessori per il **taglio plasma**.

Siamo specializzati nella lavorazione del rame, con attrezzature e macchine speciali, che ci hanno consentito di raggiungere e mantenere degli standard qualitativi altissimi, grazie alla grande e comprovata esperienza dei nostri tecnici.

I nostri particolari di consumo vengono prodotti su torni a controllo numerico e plurimandrini, con tolleranze molto precise. Si effettuano verifiche continue ad ogni stadio di lavorazione, ed ogni articolo subisce anche 5 o 6 tests prima di essere immagazzinato, pronto per la spedizione.

**Torce e corpi torcia** vengono **collaudati singolarmente** per garantirne la massima affidabilità.

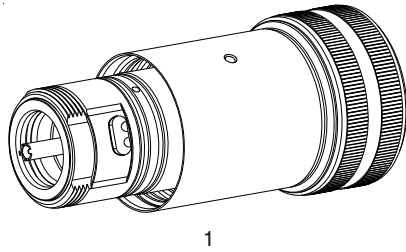
Il nostro **importante stock** di materiale standard ci consente di effettuare le consegne in modo **rapido** ed **efficiente**.

Su richiesta, siamo in grado di produrre ulteriori particolari a disegno in esclusiva.

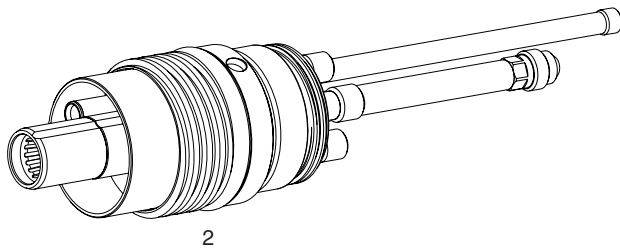
Possiamo personalizzare con la **marcatore laser** sia le torce che le parti di consumo, e queste ultime possono essere confezionate in bi-valve, tubi telescopici o sacchetti termo-saldati.

I nostri **punti di forza** sono : **QUALITA' – SERVIZIO - COLLABORAZIONE**

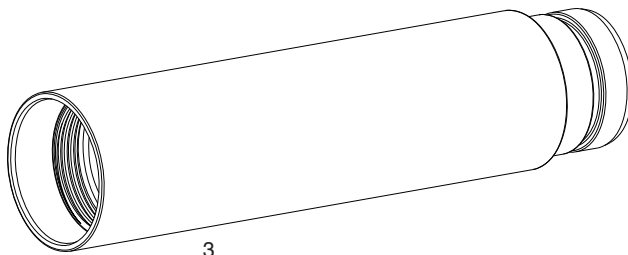
Hypertherm®	6
Kjellberg®	14
Thermal Dynamics®	19
SAF® - FRO®	20
OTC®	22
Komatsu®	22
Cebora®	23
Air Filter "AT1000"	24
Circuit Cooler	24
CNC Plasma Water Table	25
Water Table Fluid	25

**HYPERTHERM®****HPR-130/260®****Upgrade HD3070®**

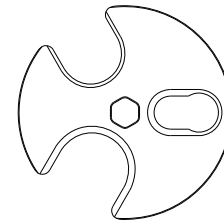
1



2



3



4

**ALL our Electrodes MUST BE USED with our water cooling tube**

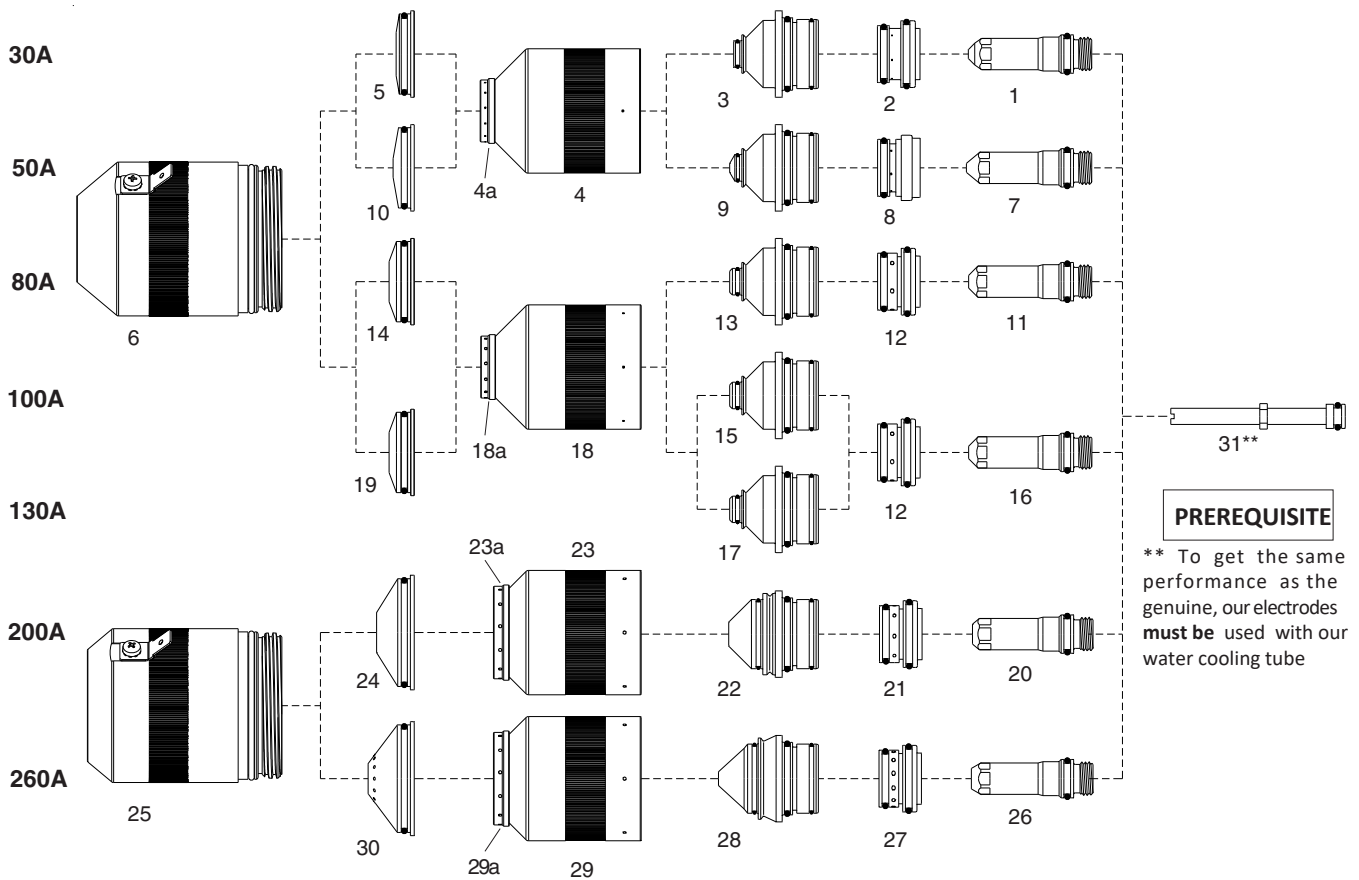
No.	Ref.	Code	Description	Pkg.	No.	Ref.	Code	Description	Pkg.
1	220162	08405	Torch head HPR-130/260 (no XD)	1	<b>08405-Kit1 STARTER KIT 1 - 130A:</b>				
2	220163	08410	Quick-disconnect receptacle	1	220162	08405	Quick-disconnect torch	1	
3	220232	08411	Mounting sleeve	1	220163	08410	Quick-disconnect receptacle	1	
4	104119	08405.60	Wrench	1	220181TD	52745	Electrode 130A	2	
					220179	60142	Swirl Ring 80/130A	1	
					220182	51732	Nozzle 130A	2	
					220176	60771	Retaining cap 80/130A	1	
					220173	60774	Shield cap 30/130A "Top Quality"	1	
					220183	60745	Shield 130A	1	
					104119	08405.60	Wrench	1	
					<b>08405-Kit2 STARTER KIT 2 - 260A:</b>				
					220162	08405	Quick-disconnect torch	1	
					220163	08410	Quick-disconnect receptacle	1	
					220435TD	52747	Electrode 260A	2	
					220436	60144	Swirl Ring 260A	1	
					220439	51734	Nozzle 260A	2	
					220433	60773	Retaining cap 260A	1	
					220398	60775	Shield cap 200/260A "Top Quality"	1	
					220183	60745	Shield 130A	1	
					220440	60747	Shield 260A	1	
					104119	08405.60	Wrench	1	

**HYPERTHERM®**

HPR-130/260®

Upgrade HD3070®

**MILD STEEL**



**USE the same OEM gas regulation tables**

No.	Ref.	Code	Description	Pkg.	No.	Ref.	Code	Description	Pkg.
1	220192TD	52741	Electrode 30A	10	19	220183	60745	Shield 130A	1
2	220180	60140	Swirl Ring 30A Max Life	1	20	220352TD	52746	Electrode 200A	10
	220180	60140L	Swirl Ring 30A <b>LAVA</b>	1		220352TD	52746BME	Electrode 200A <b>Silver Ring</b>	10
3	220193	51729	Nozzle 30A	5	21	220353	60143	Swirl Ring 200A Max Life	1
4	220313	60770	Retaining cap 30/50A	1		220353	60143L	Swirl Ring 200A <b>LAVA</b>	1
5	220194	60741	Shield 30A	1	22	220354	51733	Nozzle 200A	5
6	220173	60774	Shield cap 30/130A "Top Quality"	1	23	220355	60772	Retaining cap 200A	1
	220173L	60774L	Shield cap 30/130A	1	24	220356	60746	Shield 200A (no XD)	1
7	220552TD	52742	Electrode 50A	10	25	220398	60775	Shield cap 200/260A "Top Quality"	1
8	220553	60141	Swirl Ring 50A Max Life	1		220398L	60775L	Shield cap 200/260A	1
	220553	60141L	Swirl Ring 50A <b>LAVA</b>	1	26	220435TD	52747	Electrode 260A	10
9	220554	51730	Nozzle 50A	5		220435TD	52747BME	Electrode 260A <b>Silver Ring</b>	10
10	220555	60742	Shield 50A	1	27	220436	60144	Swirl Ring 260A Max Life	1
11	220187TD	52743	Electrode 80A	10		220436	60144L	Swirl Ring 260A <b>LAVA</b>	1
12	220179	60142	Swirl Ring 80/130A Max Life	1	28	220439	51734	Nozzle 260A	5
	220179	60142L	Swirl Ring 80/130A <b>LAVA</b>	1	29	220433	60773	Retaining cap 260A	1
13	220188	51731	Nozzle 80A	5	30	220440	60747	Shield 260A (no XD)	1
14	220189	60743	Shield 80A	1	31	220340TD	60740**	Water cooling tube	1
15	220510	51735	Nozzle 100A	5					
16	220181TD	52745	Electrode 130A	10	4a	220313 ring	60150	for Retaining Cap 30/50A	2
	220181TD	52745BME	Electrode 130A <b>BiMetal</b>	10	18a	220176 ring	60151	for Retaining Cap 80/130A	2
17	220182	51732	Nozzle 130A	5	23a	220355 ring	60152	for Retaining Cap 200A	2
18	220176	60771	Retaining cap 80/130A	1	29a	220433 ring	60153	for Retaining Cap 260A	2

Tec.Mo. srl is in no way affiliated or connected with any of the manufacturers referred to in this catalogue. The parts advertised for sale are not genuine parts, but are parts made for and by Tec.Mo. srl. The use of original equipment manufacturer's part numbers and/or any manufacturer's registered or unregistered trade marks are for your convenience only.

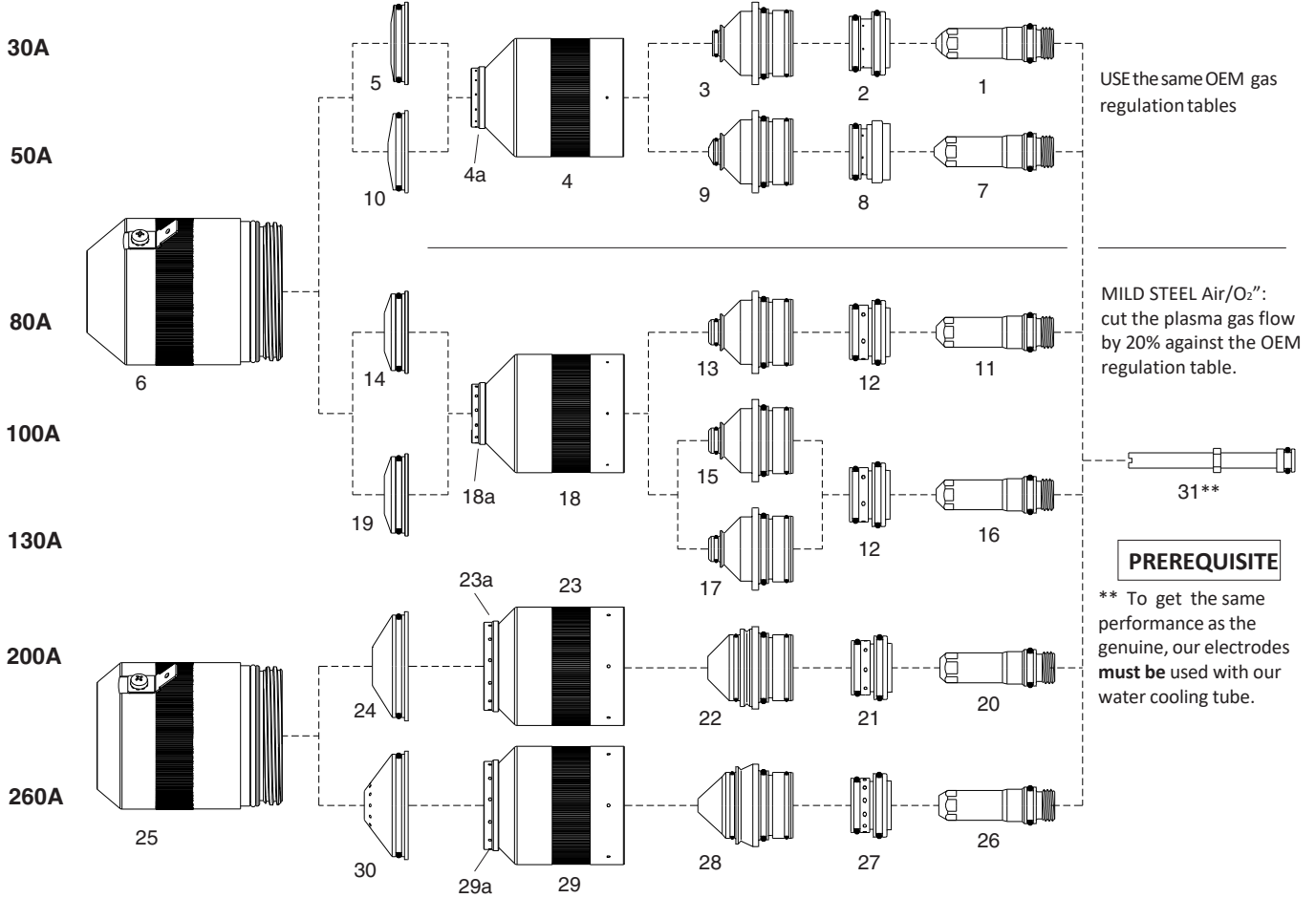
**HYPERTHERM®**

HPR-130/260®  
Upgrade HD3070®

**MILD STEEL  
SINGLE NOZZLES**

**DIFFER FROM OEM DESIGN**

**MUST BE USED with a MANUAL gas control console ONLY**



**● ON REQUEST**

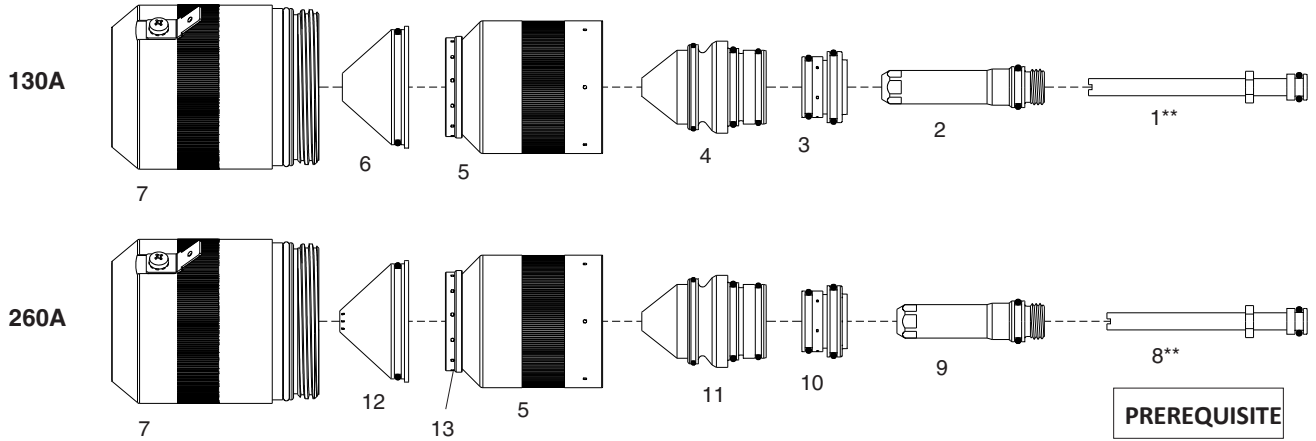
No.	Ref.	Code	Description	Pkg.	No.	Ref.	Code	Description	Pkg.
1	220192TD	52741	Electrode 30A	10	19	220183	60745	Shield 130A	1
2	220180	60140	Swirl Ring 30A Max Life	1	20	220352TD	52746	Electrode 200A	10
	220180	60140L	Swirl Ring 30A <b>LAVA</b>	1		220352TD	52746BME	Electrode 200A <b>Silver Ring</b>	10
3	220193	51741	Nozzle 30A	5	21	220353	60143	Swirl Ring 200A Max Life	1
4	220313	60770	Retaining cap 30/50A	1		220353	60143L	Swirl Ring 200A <b>LAVA</b>	1
5	220194	60741	Shield 30A	1	22	220354	51746	Nozzle 200A	5
6	220173	60774	Shield cap 30/130A "Top Quality"	1	23	220355	60772	Retaining cap 200A	1
	220173L ●	60774L	Shield cap 30/130A	1	24	220356	60746	Shield 200A	1
7	220552TD	52742	Electrode 50A	10	25	220398	60775	Shield cap 200/260A "Top Quality"	1
8	220553	60141	Swirl Ring 50A Max Life	1		220398L ●	60775L	Shield cap 200/260A	1
	220553	60141L	Swirl Ring 50A <b>LAVA</b>	1	26	220435TD	52747	Electrode 260A	10
9	220554	51742	Nozzle 50A	5		220435TD	52747BME	Electrode 260A <b>Silver Ring</b>	10
10	220555	60742	Shield 50A	1	27	220436	60144	Swirl Ring 260A Max Life	1
11	220187TD	52743	Electrode 80A	10		220436	60144L	Swirl Ring 260A <b>LAVA</b>	1
12	220179	60142	Swirl Ring 80/130A Max Life	1	28	220439	51747	Nozzle 260A	5
	220179	60142L	Swirl Ring 80/130A <b>LAVA</b>	1	29	220433	60773	Retaining cap 260A	1
13	220188	51743	Nozzle 80A	5	30	220440	60747	Shield 260A	1
14	220189	60743	Shield 80A	1	31	220340TD	60740**	Water cooling tube	1
15	220510	51744	Nozzle 100A	5					
16	220181TD	52745	Electrode 130A	10	4a	220313 ring	60150	for Retaining Cap 30/50A	2
	220181TD	52745BME	Electrode 130A <b>Silver Ring</b>	10	18a	220176 ring	60151	for Retaining Cap 80/130A	2
17	220182	51745	Nozzle 130A	5	23a	220355 ring	60152	for Retaining Cap 200A	2
18	220176	60771	Retaining cap 80/130A	1	29a	220433 ring	60153	for Retaining Cap 260A	2

Tec.Mo. srl is in no way affiliated or connected with any of the manufacturers referred to in this catalogue. The parts advertised for sale are not genuine parts, but are parts made for and by Tec.Mo. srl. The use of original equipment manufacturer's part numbers and/or any manufacturer's registered or unregistered trade marks are for your convenience only.

**HYPERTHERM®**

HPR-130/260®  
HPR-130/260® XD

**MILD STEEL  
BEVEL**



**PREREQUISITE**

\*\* To get the same performance as the genuine, our electrodes **must be** used with our water cooling tube

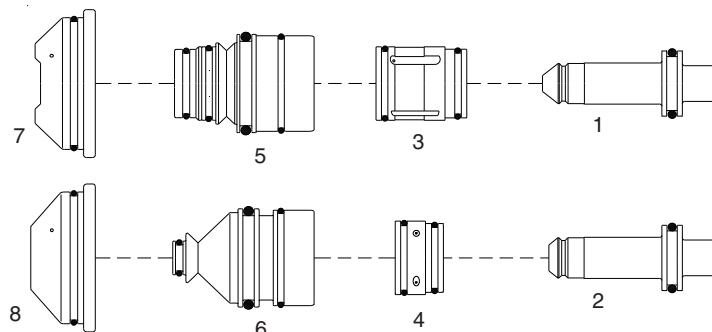
● ON REQUEST

No.	Ref.	Code	Description	Pkg.	No.	Ref.	Code	Description	Pkg.
1	220700TD	60738**	Cooling tube 130A	1	220398L ●	60775L	Shield Cap 130/260A	1	
2	220649TD	52736	Electrode 130A	5	8	220571TD	60739**	Cooling tube 260A	1
	220649TD	52736BME	Electrode 130A <b>Silver Ring</b>	5	9	220541TD	52737	Electrode 260A	10
3	220179	60142	Swirl Ring 130A Max Life	1		220541TD	52737BME	Electrode 260A <b>Silver Ring</b>	10
	220179	60142L	Swirl Ring 130A <b>LAVA</b>	1	10	220436	60144	Swirl Ring 260A Max Life	1
4	220646	51736	Nozzle 130A	5		220436	60144L	Swirl Ring 260A <b>LAVA</b>	1
5	220603	60778	Retaining Cap 130/260A	1	11	220542	51737	Nozzle 260A	5
6	220645	60766	Shield 130A	1	12	220545	60767	Shield Cap 260A	1
7	220398	60775	Shield Cap 130/260A "Top Quality"	1	13	220740ring	60156	for Retaining Cap 130/260A	2

**HYPERTHERM®**

HD1070® HD3070®

ON REQUEST

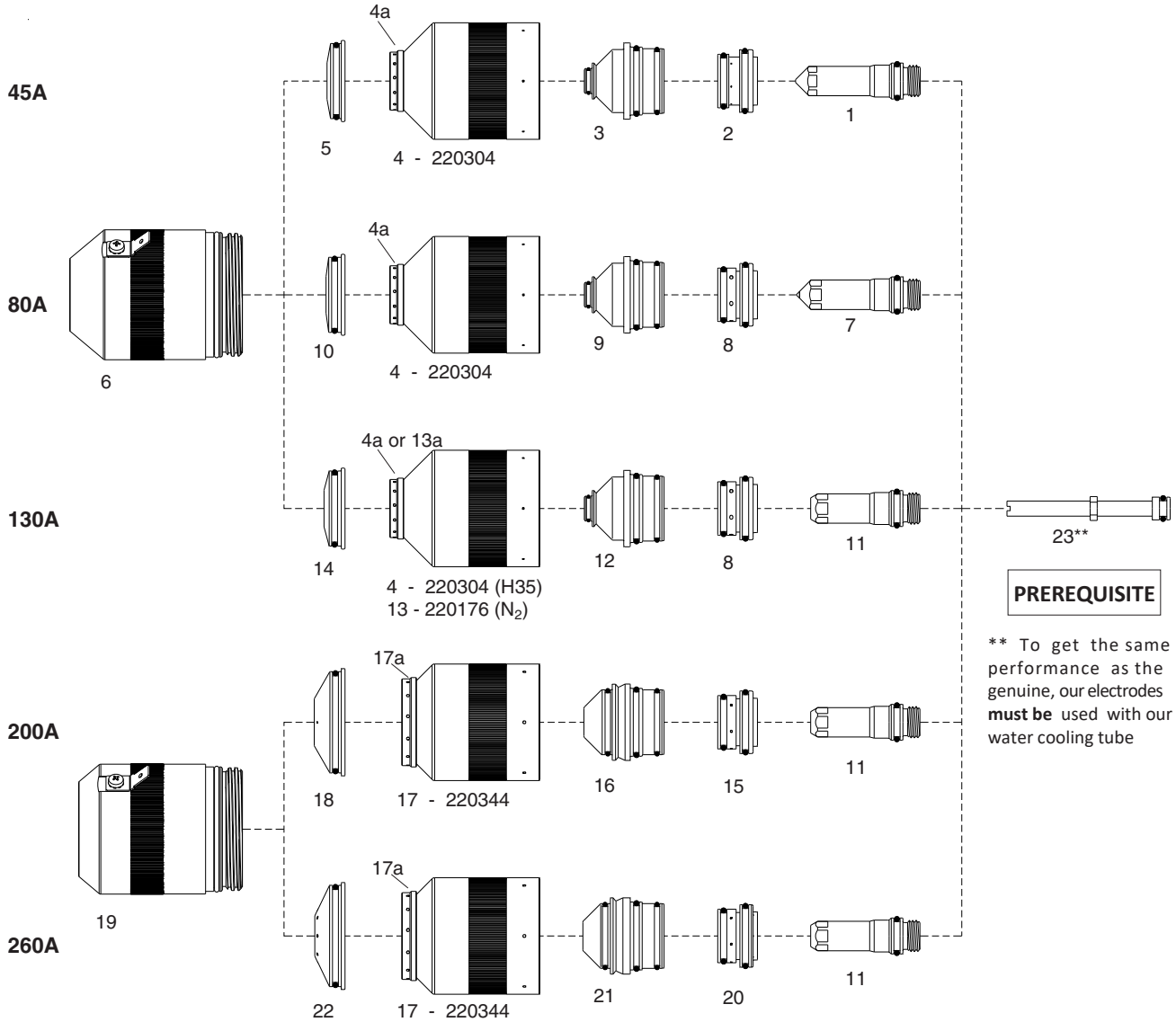


No.	Ref.	Code	Description	Pkg.	No.	Ref.	Code	Description	Pkg.
1	120112	52622	Electrode 70A	10	5	020647	51397	Tip 70A	5
2	120410	52623	Electrode 100A	10	6	120272	51398	Tip 100A	5
3	020789	60048	Swirl ring 70A	1	7	020796	51937	Shield 70A	1
4	020637	60049	Swirl ring 100A	1	8	120273	51938	Shield 100A	1

**HYPERTHERM®**

HPR-130/260®

**STAINLESS STEEL**



**PREREQUISITE**

\*\* To get the same performance as the genuine, our electrodes **must be** used with our water cooling tube

● **ON REQUEST**

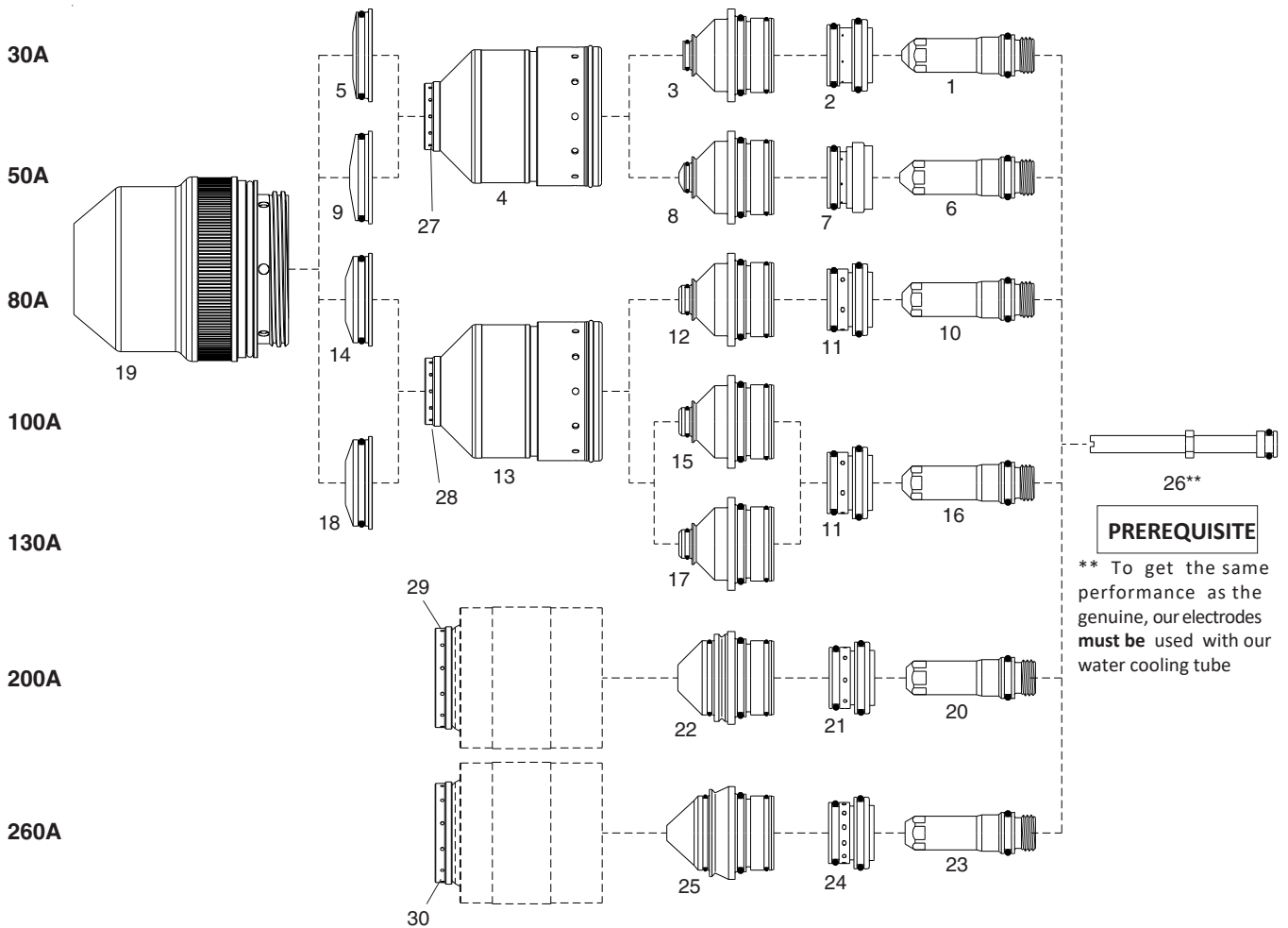
No.	Ref.	Code	Description	Pkg.	No.	Ref.	Code	Description	Pkg.
1	220308	52752	Electrode 45A	10	14	220198	60733	Shield 130A	1
2	220180	60140	Swirl Ring 45A Max Life	1	15	220342	60145	Swirl Ring 200A Max Life	1
	220180	60140L	Swirl Ring 45A <b>LAVA</b>	1	16	220343	51754	Nozzle 200A	5
3	220201	51751	Nozzle 45A	5	17	220344	60777	Retaining Cap 200-260A	1
4	220304	60776	Retaining Cap 45-130A ( <b>H35</b> )	1	18	220345	60734	Shield 200A	1
5	220202	60731	Shield 45A	1	19	220398	60775	Shield Cap 200-260A "Top Quality"	1
6	220173	60774	Shield Cap 45-130A "Top Quality"	1		220398L ●	60775L	Shield Cap 200-260A	1
	220173L ●	60774L	Shield Cap 45-130A	1	20	220405	60146	Swirl Ring 260A Max Life	1
7	220339	52753	Electrode 80A	10	21	220406	51755	Nozzle 260A	5
8	220179	60142	Swirl Ring 80-130A Max Life	1	22	220407	60735	Shield 260A	1
	220179	60142L	Swirl Ring 80-130A <b>LAVA</b>	1	23	220340TD	60740**	Water cooling tube	1
9	220337	51752	Nozzle 80A	5					
10	220338	60732	Shield 80A	1					
11	220307	52754	Electrode 130-260A	10	13a	220176 ring	60151	for Retaining Cap 130A ( <b>N2</b> )	2
12	220197	51753	Nozzle 130A	5	4a	220304 ring	60154	for Retaining Cap 45-130A ( <b>H35</b> )	2
13	220176	60771	Retaining Cap 130A ( <b>N2</b> )	1	17a	220344 ring	60155	for Retaining Cap 200-260A	2



## HYPERTHERM®

HPR-130/260® XD

## MILD STEEL

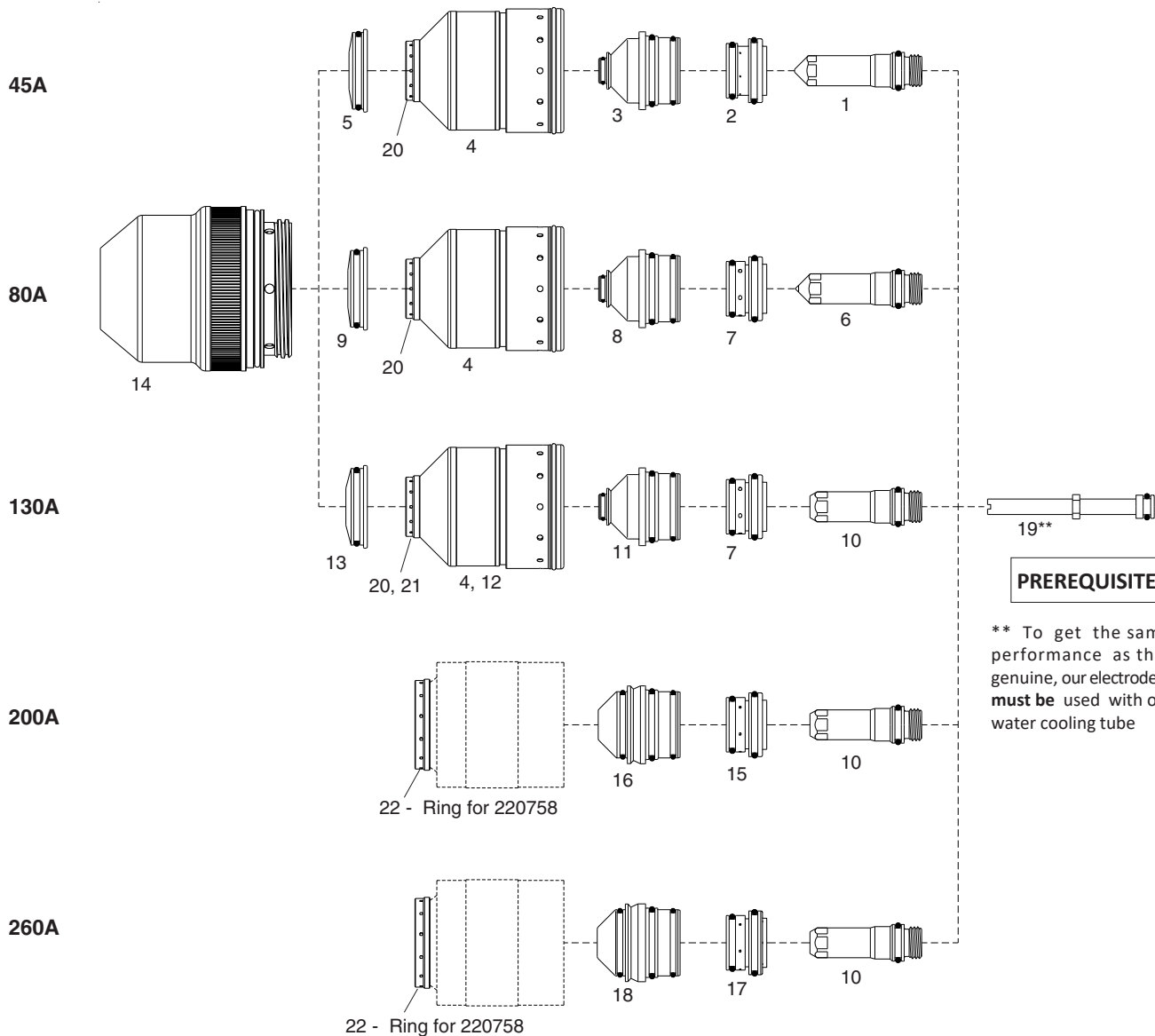


### USE the same OEM gas regulation tables

No.	Ref.	Code	Description	Pkg.	No.	Ref.	Code	Description	Pkg.
1	220192TD	52741	Electrode 30A	10	17	220182	51732	Nozzle 130A	5
2	220180	60140	Swirl Ring 30A Max Life	1	18	220183	60745	Shield 130A	1
	220180	60140L	Swirl Ring 30A LAVA	1	19	220747	60794	Shield Cap 30-130A	1
3	220193	51729	Nozzle 30A	5	20	220352TD	52746	Electrode 200A	10
4	220754	60790	Retaining Cap 30-50A	1		220352TD	52746BME	Electrode 200A <b>Silver Ring</b>	10
5	220194	60741	Shield 30A	1	21	220353	60143	Swirl Ring 200A Max Life	1
6	220552TD	52742	Electrode 50A	10		220353	60143L	Swirl Ring 200A LAVA	1
7	220553	60141	Swirl Ring 50A Max Life	1	22	220354	51733	Nozzle 200A	5
	220553	60141L	Swirl Ring 50A LAVA	1	23	220435TD	52747	Electrode 260A	10
8	220554	51730	Nozzle 50A	5		220435TD	52747BME	Electrode 260A <b>Silver Ring</b>	10
9	220555	60742	Shield 50A	1	24	220436	60144	Swirl Ring 260A Max Life	1
10	220187TD	52743	Electrode 80A	10		220436	60144L	Swirl Ring 260A LAVA	1
11	220179	60142	Swirl Ring 80/130A Max Life	1	25	220439	51734	Nozzle 260A	5
	220179	60142L	Swirl Ring 80/130A LAVA	1	26	220340TD	60740**	Water cooling tube	1
12	220188	51731	Nozzle 80A	5					
13	220756	60791	Retaining Cap 80-130A	1					
14	220189	60743	Shield 80A	1	27	220754 ring	60150	for Retaining Cap 30/50A	2
15	220510	51735	Nozzle 100A	5	28	220756 ring	60151	for Retaining Cap 80/130A	2
16	220181TD	52745	Electrode 130A	10	29	220757 ring	60152	for Retaining Cap 200A	2
	220181TD	52745BME	Electrode 130A <b>Silver Ring</b>	10	30	220760 ring	60153	for Retaining Cap 260A	2

**HYPERTHERM®**

HPR-130/260® XD

**STAINLESS STEEL**

No.	Ref.	Code	Description	Pkg.	No.	Ref.	Code	Description	Pkg.
1	220308TD	52752	Electrode 45A	10	11	220197	51753	Nozzle 130A	5
2	220180	60140	Swirl Ring 45A Max Life	1	12	220756	60791	Retaining Cap 130A (N2)	1
	220180	60140L	Swirl Ring 45A LAVA	1	13	220198	60733	Shield 130A	1
3	220201	51751	Nozzle 45A	5	14	220747	60794	Shield Cap 30-130A	1
4	220755	60796	Retaining Cap 45-130A (H35)	1	15	220342	60145	Swirl Ring 200A Max Life	1
5	220202	60731	Shield 45A	1	16	220343	51754	Nozzle 200A	5
6	220339TD	52753	Electrode 80A	10	17	220405	60146	Swirl Ring 260A Max Life	1
7	220179	60142	Swirl Ring 80-130A Max Life	1	18	220406	51755	Nozzle 260A	5
	220179	60142L	Swirl Ring 80-130A LAVA	1	19	220340TD	60740**	Water cooling tube	1
8	220337	51752	Nozzle 80A	5	20	220755 ring	60154	for Retaining Cap 45-130A (H35)	2
9	220338	60732	Shield 80A	1	21	220556 ring	60151	for Retaining Cap 130A (N2)	2
10	220307TD	52754	Electrode 130-260A	10	22	220758 ring	60155	for Retaining Cap 200-260A	2

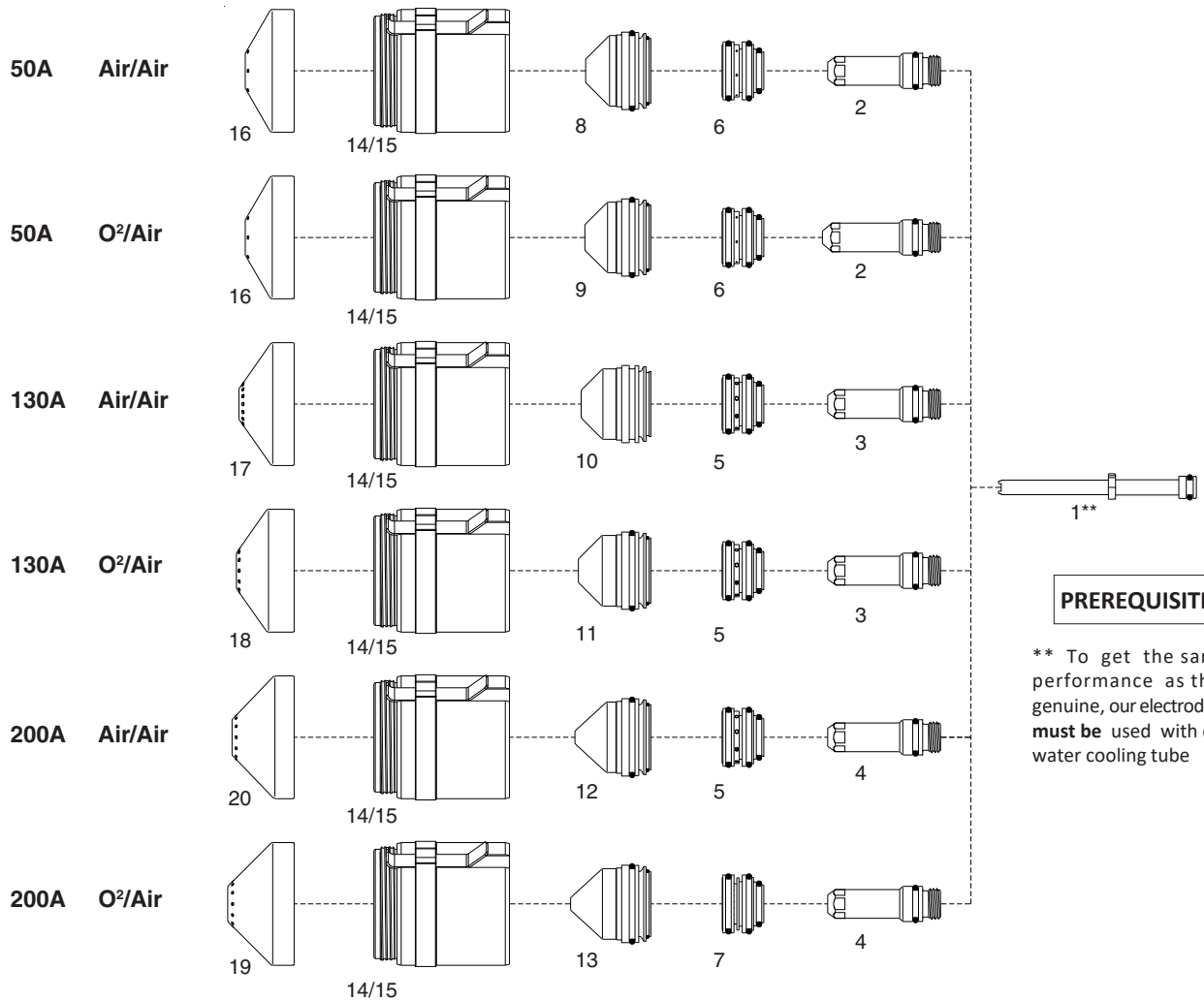
**HYPERTHERM®**

MAXPRO200®

HyPro® upgrade torch for Max 200®

HyPro® upgrade torch for HT 2000®

**Mild Steel**

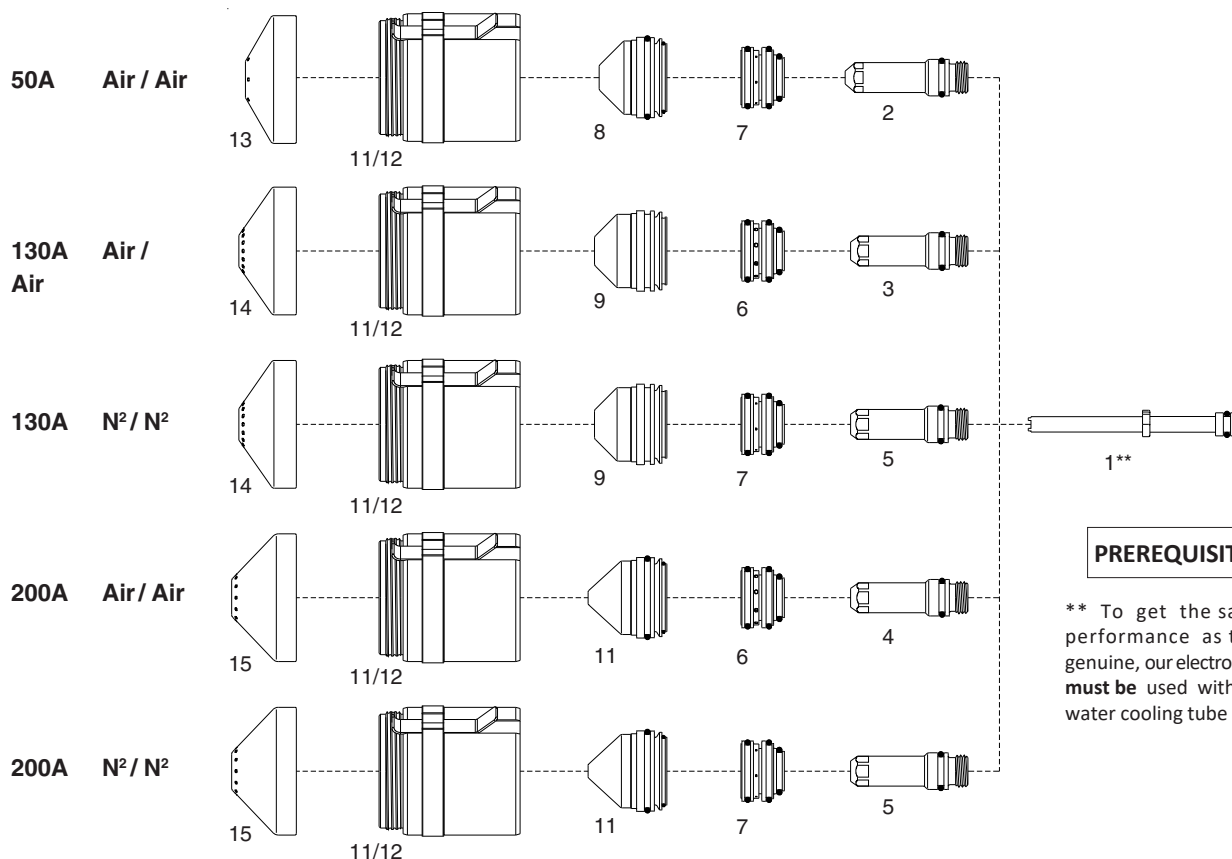


**PREREQUISITE**

\*\* To get the same performance as the genuine, our electrodes **must be** used with our water cooling tube

No.	Ref.	Code	Description	Pkg.	No.	Ref.	Code	Description	Pkg.
1	220521TD	60737**	Cooling Tube	1	9	220891	51791TD	Nozzle 50A O <sup>2</sup>	5
2	220528TD	52780TD	Electrode 50A Air/O <sup>2</sup>	10	10	220892	51792TD	Nozzle 130A Air	5
3	220487TD	52781TD	Electrode 130A Air/O <sup>2</sup>	10	11	220893	51793TD	Nozzle 130A O <sup>2</sup>	5
4	220937TD	52782TD	Electrode 200A Air/O <sup>2</sup>	10	12	420044	51794TD	Nozzle 200A Air	5
5	220488	60137	Swirl Ring 130-200A Air / 130A O <sup>2</sup> Max Life	1	13	220831	51795TD	Nozzle 200A O <sup>2</sup>	5
	220488	60137L	Swirl Ring 130-200A Air / 130A O <sup>2</sup> LAVA	1	14	220935	60326	Retaining Cap	1
6	220529	60138	Swirl Ring 50A Air-O <sup>2</sup> / N <sup>2</sup> Max Life	1	15	220936	60326H	Retaining Cap OHMIC	1
	220529	60138L	Swirl Ring 50A Air-O <sup>2</sup> / N <sup>2</sup> LAVA	1	16	220532	60780	Shield 50A Air/O <sup>2</sup>	1
7	220834	60139	Swirl Ring 200A O <sup>2</sup> Max Life	1	17	220536	60781	Shield 130A Air/N <sup>2</sup>	1
	220834	60139L	Swirl Ring 200A O <sup>2</sup> LAVA	1	18	220491	60782	Shield 130A O <sup>2</sup>	1
8	220890	51790TD	Nozzle 50A Air	5	19	220832	60783	Shield 200A O <sup>2</sup>	1
					20	420045	60784	Shield 200A Air	1

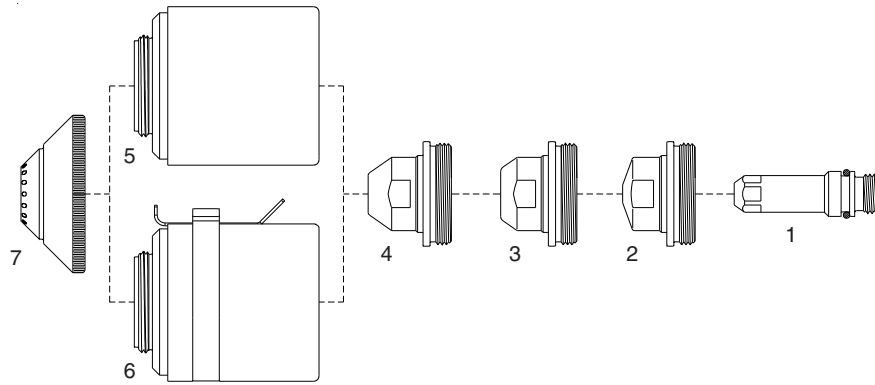
Tec.Mo. srl is in no way affiliated or connected with any of the manufacturers referred to in this catalogue. The parts advertised for sale are not genuine parts, but are parts made for and by Tec.Mo. srl. The use of original equipment manufacturer's part numbers and/or any manufacturer's registered or unregistered trade marks are for your convenience only.

**HYPERTHERM<sup>®</sup>**MAXPRO200<sup>®</sup>HyPro<sup>®</sup> upgrade torch for Max 200<sup>®</sup>HyPro<sup>®</sup> upgrade torch for HT 2000<sup>®</sup>**Stainless Steel  
&  
Aluminium**

No.	Ref.	Code	Description	Pkg.	No.	Ref.	Code	Description	Pkg.
1	220521TD	60737**	Cooling Tube	1	8	220890	51790TD	Nozzle 50AAir	5
2	220528TD	52780TD	Electrode 50AAir/O <sup>2</sup>	10	9	220892	51792TD	Nozzle 130AAir	5
3	220487TD	52781TD	Electrode 130AAir/O <sup>2</sup>	10	10	420044	51794TD	Nozzle 200AAir	
4	220937TD	52782TD	Electrode 200AAir/O <sup>2</sup>	10	11	220935	60326	Retaining Cap	1
5	020415TD	52783TD	Electrode 130-200AN <sup>2</sup>	10	12	220936	60326H	Retaining Cap OHMIC	1
6	220488	60137	Swirl Ring 130-200AAir / 130AO <sup>2</sup> Max Life	1	13	220532	60780	Shield 50AAir/O <sup>2</sup>	1
	220488	60137L	Swirl Ring 130-200AAir / 130AO <sup>2</sup> LAVA	1	14	220536	60781	Shield 130AAir/N <sup>2</sup>	1
7	220529	60138	Swirl Ring 50AAir-O <sup>2</sup> / N <sup>2</sup> Max Life	1	15	420045	60784	Shield 200AAir	1
	220529	60138L	Swirl Ring 50AAir-O <sup>2</sup> / N <sup>2</sup> LAVA	1					

**HYPERTHERM®**

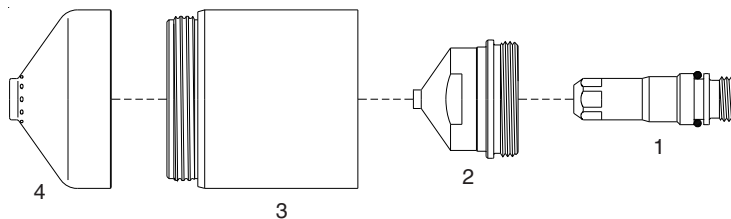
**MAX 200® PAC200T/E®  
HT-2000®**



No.	Ref.	Code	Description	Pkg.	No.	Ref.	Code	Description	Pkg.
1	120547	52619	Electrode, O <sub>2</sub> , Air, 100A	10	4	020690	51319	Nozzle .055, O <sub>2</sub> , 100A (HT-2000®)	5
	120667	52620/TD	Electrode, O <sub>2</sub> , Air, 200A (replaces 020664 and 020414)	10		020605	51320	Nozzle .082, O <sub>2</sub> , 200A	5
	120667	52620BM	Electrode, O <sub>2</sub> , Air, 200A <b>BiMetal</b> (replaces 020664 and 020414)	10		020608	51321	Nozzle .086, Air, N <sub>2</sub> , Ar/H, 200A	5
	020415	<b>52783TD</b>	Electrode, Ar/H, 200A	5	5	020423	60306	Retaining cap	1
2	020689	51324/TD	Nozzle .038Air, 40A	5	6	120837	60306H	Retaining cap, <b>OHMIC</b>	1
3	020611	51322/TD	Nozzle .059, Air, N <sub>2</sub> , Ar/H, 100A	5	7	020448	51932	Shield, Air, N <sub>2</sub> , Ar/H, 100A	1
	020616	51323/TD	Nozzle .055, O <sub>2</sub> , 100A (MAX200®)	5		020424	51933	Shield, O <sub>2</sub> /Air, N <sub>2</sub> , Ar/H, 200A	1

**HYPERTHERM®**

**HYSPEED® HT-2000®**



**ON REQUEST**

No.	Ref.	Code	Description	Pkg.	No.	Ref.	Code	Description	Pkg.
1	220235	52618/TD	Electrode 200A O <sub>2</sub>	10	3	220238	60308	Retaining cap 200A O <sub>2</sub>	1
	220235	52618BM	Electrode 200A O <sub>2</sub> <b>BiMetal</b>	10	4	220239	51934	Shield cap 200A O <sub>2</sub>	1
2	220237	51326	Nozzle 200A O <sub>2</sub>	5					



**Notes**

---



---

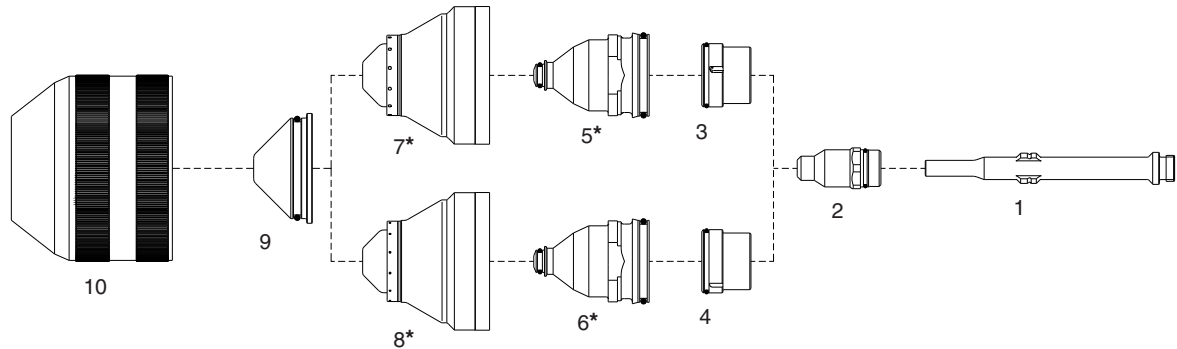


---

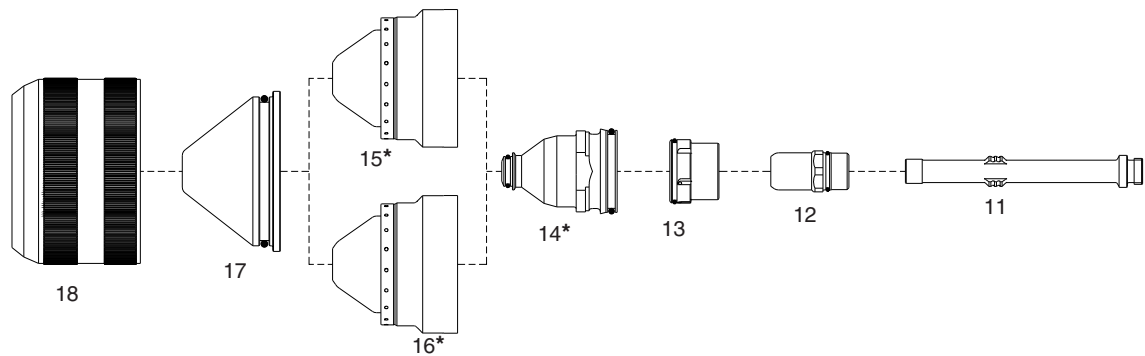
**KJELLBERG®**  
HiFocus 280i® / 360i® / 440i®  
PerCut 210M®/450M®

**MILD STEEL**

\* Differ from OEM Design but  
fully interchangeable with the  
originals

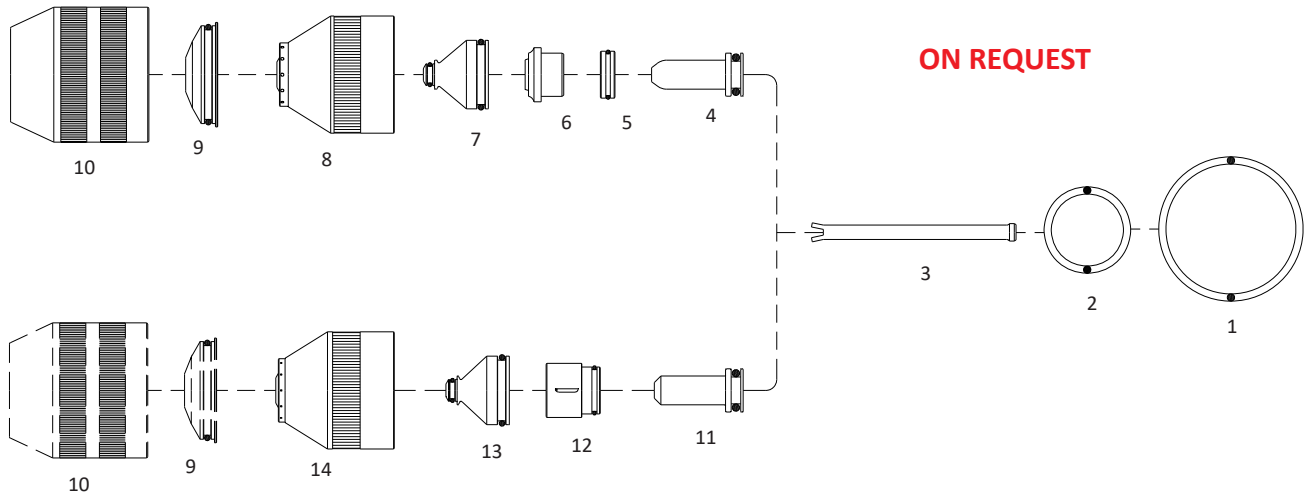


**ON REQUEST**



No.	Ref.	Code	Description	Pkg.	No.	Ref.	Code	Description	Pkg.
1	.11.848.201.142	60635	Cooling Tube - 20/200A G901Y	1	9	.11.848.201.1520	60596.20	Shield Ø 2.0 - 35/60A G4020	5
2	.11.848.221.300	52722AG	Electrode - 20/200A G002Y <b>Silver</b>	5		.11.848.201.1522	60596.22	Shield Ø 2.2 - 130A G4022	5
3	.11.848.221.145	60072	Swirl ring - 20/35A G101	2		.11.848.201.1525	60596.25	Shield Ø 2.5 - 90A G4025	5
4	.11.848.221.146	60073	Swirl ring - 60/200A G102	2		.11.848.201.1530	60596.30	Shield Ø 3.0 - 90/200A G4030	5
5	.11.848.221.406	51640.06	Nozzle Ø 0.6 - 20A G2006Y	5	10	.11.848.201.081	60645	Shield Cap G501	1
	.11.848.221.407	51640.07	Nozzle Ø 0.7 - 35A G2007Y	5	11	.11.848.401.142	60636	Cooling Tube - 280A G931Y	1
6	.11.848.221.408	51641.08	Nozzle Ø 0.8 - 60A G2008Y	5	12	.11.848.421.310	52723AG	Electrode - 280A G032Y <b>Silver</b>	5
	.11.848.221.410	51641.10	Nozzle Ø 1.0 - 90A G2010Y	5	13	.11.848.421.145	60074	Swirl ring - 280A G121	2
	.11.848.221.412	51641.12	Nozzle Ø 1.2 - 130A G2012Y	5	14	.11.848.421.426	51643.26	Nozzle Ø 2.6 - 280A G2326Y	5
	.11.848.221.414	51641.14	Nozzle Ø 1.4 - 160A G2014Y	5	15	.11.848.401.1649	60642	Retaining cup - 280A G3249 6-25mm	1
	.11.848.221.417	51642.17	Nozzle Ø 1.7 - 200A G2017Y	5	16	.11.848.401.1619	60643	Retaining cup - 280A G3219 30-70mm	1
7	.11.848.201.1604	60640	Retaining cap - 20/35A G3004	1	17	.11.848.401.1550	60597.50	Shield Ø 5.0 - 280A G4350	2
8	.11.848.201.1628	60641	Retaining cup - 60/200A G3028	1	18	.11.848.401.081	60646	Shield Cap G521	1
9	.11.848.201.1515	60596.15	Shield Ø 1.5 - 20A G4015	5					

**KJELLBERG®**  
**PERCUT 100®**

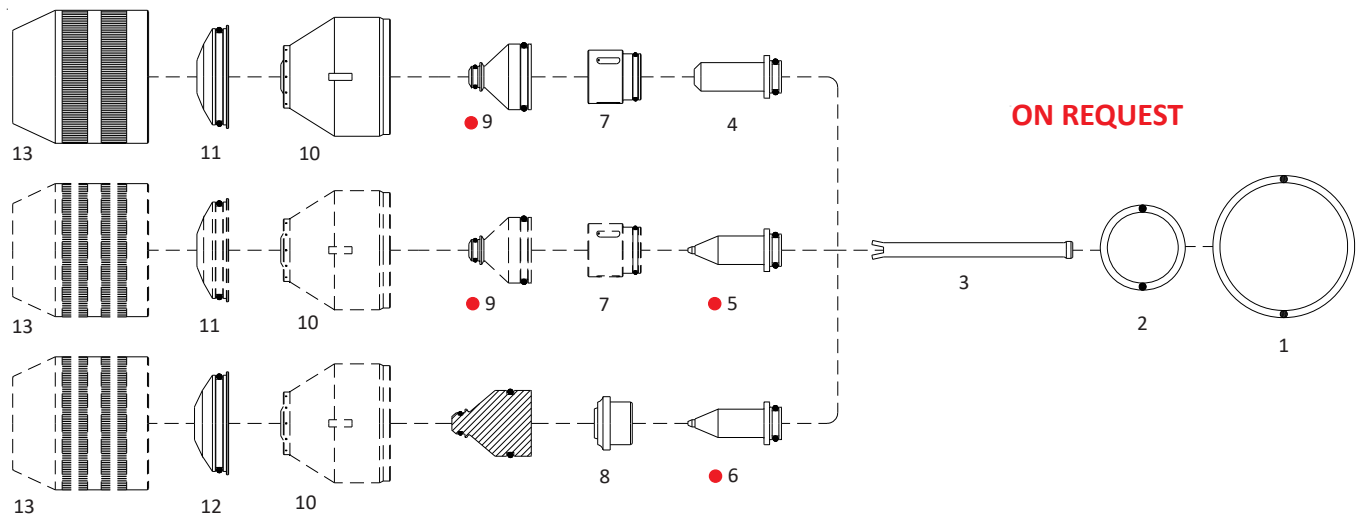


**ON REQUEST**

No.	Ref.	Code	Description	Pkg.	No.	Ref.	Code	Description	Pkg.
1	.10.505.946	60365.42	O-Ring Silicone	20	8	.11.835.201.162	60573	Retaining cap $\phi$ 0.8 Z3008	1
2	.10.575.052	60365.41	O-Ring Silicone	20	9	.11.835.201.1561	60565	Shield $\phi$ 1.5 Z4015	5
3	.11.835.201.152	60366C	Cooling tube	1		.11.835.201.1571	60566	Shield $\phi$ 2.0 Z4020	5
4	.11.835.421.3101	52707AG	Electrode O <sub>2</sub> XL Z012 <b>Silver</b>	5		.11.835.201.1581	60566.25	Shield $\phi$ 2.5 Z4025	5
5	.11.835.421.303	60064	Spacer Max Life Z111A	5		.11.835.201.1591	60566.30	Shield $\phi$ 3.0 Z4030	5
6	.11.828.001.153	60066	Swirl ring Max Life Z111	2		.11.835.401.1571	60567	Shield $\phi$ 4.0 Z4140	5
7	.11.835.221.406	51620.06	Nozzle $\phi$ 0.6 O <sub>2</sub> Z2006	5	10	.11.835.201.081	60561	Shield cap Z501	1
	.11.835.221.407	51620.07	Nozzle $\phi$ 0.7 O <sub>2</sub> Z2007	5	11	.11.835.221.3101	52706AG	Electrode O <sub>2</sub> XL Z002 <b>Silver</b>	5
	.11.835.221.408	51620.08	Nozzle $\phi$ 0.8 O <sub>2</sub> Z2008	5	12	.11.835.221.153	60065	Swirl ring Z101	2
	.11.835.221.409	51620.09	Nozzle $\phi$ 0.9 O <sub>2</sub> Z2009	5	13	.11.835.421.412	51621.12	Nozzle $\phi$ 1.2 O <sub>2</sub> Z2112	5
	.11.835.221.410	51620.10	Nozzle $\phi$ 1.0 O <sub>2</sub> Z2010	5		.11.835.421.414	51621.14	Nozzle $\phi$ 1.4 O <sub>2</sub> Z2114	5
	.11.835.221.411	51620.11	Nozzle $\phi$ 1.1 O <sub>2</sub> Z2011	5	14	.11.835.201.160	60572	Retaining cap $\phi$ 0.4 Z3004	1
	.11.835.221.412	51620.12	Nozzle $\phi$ 1.2 O <sub>2</sub> Z2012	5					

**KJELLBERG®**  
**PERCUT 160i®**  
**HIFOCUS 160i®**

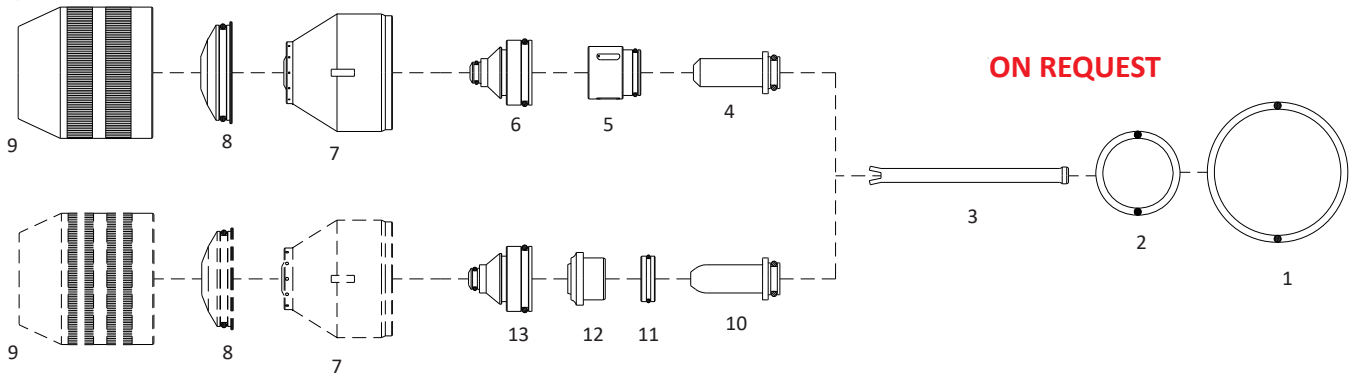
● Item not saleable in Germany, being patented in said country. Tec.mo accepts no responsibility in case of its customer's attempted sale in Germany.



No.	Ref.	Code	Description	Pkg.	No.	Ref.	Code	Description	Pkg.
1	.10.505.946	60365.42	O-Ring Silicone	20	9	.11.842.421.414	51622.14	● Nozzle $\varnothing$ 1.4 - 130A S2014	5
2	.10.575.052	60365.41	O-Ring Silicone	20		.11.842.421.416	51622.16	● Nozzle $\varnothing$ 1.6 - 160A S2016	5
3	.11.842.401.152	60579	Cooling tube S901	1	10	.11.842.401.160	60580	Retaining cap $\varnothing$ 0.4 S3004	1
4	.11.842.421.310	52711AG	Electrode O <sub>2</sub> XL S002 Silver	5		.11.842.401.162	60581	Retaining cap $\varnothing$ 0.8 S3008	1
5	.11.842.411.510	52713W	● Electrode A S042	5		.11.842.401.1622	60582	Retaining cap $\varnothing$ 0.8 S3028	1
6	.11.842.511.510	52714W	● Electrode A S052	5	11	.11.835.201.1561	60565	Shield $\varnothing$ 1.5 Z4015	5
7	.11.835.221.153	60065	Swirl ring Max Life Z101	2		.11.835.201.1571	60566	Shield $\varnothing$ 2.0 Z4020	5
	.11.835.221.154	60068	Swirl ring Max Life Z102	2		.11.835.201.1551	60566.22	Shield $\varnothing$ 2.2 Z4022	5
8	.11.834.321.153	60066	Swirl ring Max Life Z111	2		.11.835.201.1581	60566.25	Shield $\varnothing$ 2.5 Z4025	5
9	.11.842.421.406	51622.06	● Nozzle $\varnothing$ 0.6 - 25A S2006	5		.11.835.201.1591	60566.30	Shield $\varnothing$ 3.0 Z4030	5
	.11.842.421.407	51622.07	● Nozzle $\varnothing$ 0.7 - 35A S2007	5		.11.835.401.1571	60567	Shield $\varnothing$ 4.0 Z4140	5
	.11.842.421.408	51622.08	● Nozzle $\varnothing$ 0.8 - 50A S2008	5	12	.11.835.411.1581	60568.30	Shield $\varnothing$ 3.0 Z4530	5
	.11.842.421.409	51622.09	● Nozzle $\varnothing$ 0.9 - 70A S2009	5		.11.835.411.1580	60568.35	Shield $\varnothing$ 3.5 Z4535	5
	.11.842.421.410	51622.10	● Nozzle $\varnothing$ 1.0 - 80A S2010	5		.11.835.411.1591	60568.40	Shield $\varnothing$ 4.0 Z4540	5
	.11.842.421.411	51622.11	● Nozzle $\varnothing$ 1.1 - 90A S2011	5		.11.835.411.1590	60568.45	Shield $\varnothing$ 4.5 Z4545	5
	.11.842.421.412	51622.12	● Nozzle $\varnothing$ 1.2 - 100A S2012	5	13	.11.835.201.081	60561	Shield cap Z501	1



**KJELLBERG®**  
PERCUT 160/170®



No.	Ref.	Code	Description	Pkg.	No.	Ref.	Code	Description	Pkg.
1	.10.505.946	60365.42	O-Ring Silicone	20	7	.11.842.401.160	60580	Retaining cap $\varnothing$ 0.4 S3004	1
2	.10.575.052	60365.41	O-Ring Silicone	20		.11.842.401.162	60581	Retaining cap $\varnothing$ 0.8 S3008	1
3	.11.842.401.152	60579	Cooling tube S901	1		.11.842.401.1622	60582	Retaining cap $\varnothing$ 0.8 S3028	1
4	.11.843.021.310	52716AG	Electrode O <sub>2</sub> XL S002X <b>Silver</b>	5	8	.11.835.201.1561	60565	Shield $\varnothing$ 1.5 Z4015	5
	.11.843.021.320	52718AG	Electrode O <sub>2</sub> XL S002Y <b>Silver</b>	5		.11.835.201.1571	60566	Shield $\varnothing$ 2.0 Z4020	5
5	.11.835.221.153	60065	Swirl ring 3 holes - Max Life Z101	2		.11.835.201.1551	60566.22	Shield $\varnothing$ 2.2 Z4022	5
	.11.835.221.154	60068	Swirl ring 2 holes - Max Life Z102	2		.11.835.201.1581	60566.25	Shield $\varnothing$ 2.5 Z4025	5
6	.11.843.021.406	51625.06	Nozzle $\varnothing$ 0.6 - 25A S2006X	5		.11.835.201.1591	60566.30	Shield $\varnothing$ 3.0 Z4030	5
	.11.843.021.407	51625.07	Nozzle $\varnothing$ 0.7 - 35A S2007X	5		.11.835.401.1571	60567	Shield $\varnothing$ 4.0 Z4140	5
	.11.843.021.408	51625.08	Nozzle $\varnothing$ 0.8 - 50/60A S2008X	5	9	.11.835.201.081	60561	Shield cap Z501	1
	.11.843.021.409	51625.09	Nozzle $\varnothing$ 0.9 - 70/80A S2009X	5	10	.11.843.121.310	52717AG	Electrode O <sub>2</sub> XL S012X <b>Silver</b>	5
	.11.843.021.410	51625.10	Nozzle $\varnothing$ 1.0 - 80/90A S2010X	5	11	.11.835.421.303	60064	Spacer Max Life Z111A	5
	.11.843.021.411	51625.11	Nozzle $\varnothing$ 1.1 - 90/100A S2011X	5	12	.11.834.321.153	60066	Swirl ring Max Life Z111	2
	.11.843.021.412	51625.12	Nozzle $\varnothing$ 1.2 - 100/130A S2012X	5	13	.11.843.121.412	51626.12	Nozzle $\varnothing$ 1.2 - 100A S2112X	5
	.11.843.021.414	51625.14	Nozzle $\varnothing$ 1.4 - 130/160A S2014X	5		.11.843.121.414	51626.14	Nozzle $\varnothing$ 1.4 - 130A S2114X	5
	.11.843.021.416	51625.16	Nozzle $\varnothing$ 1.6 - 160A S2016X 7	5		.11.843.121.416	51626.16	Nozzle $\varnothing$ 1.6 - 160A S2116X	5

**KJELLBERG®**

PA-50®

PA-S75®

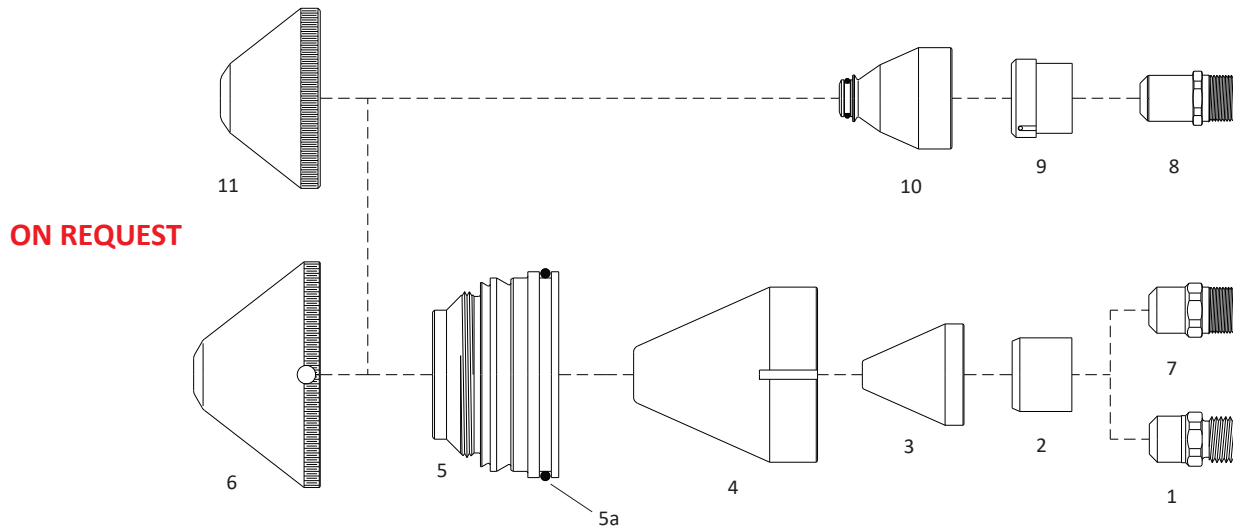
PA-S76®

PB-S77®

FINEFOCUS 800®

FINEFOCUS 900®

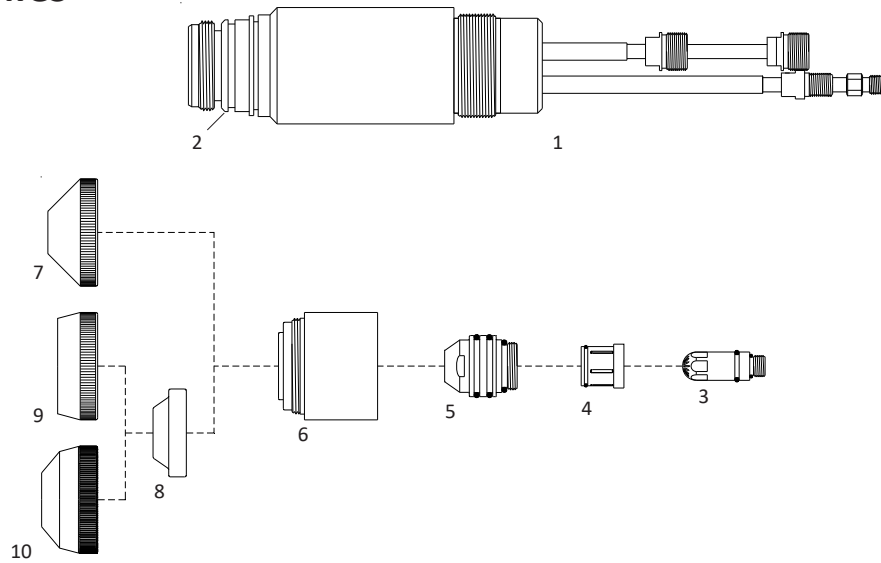
FINEFOCUS 1600®



No.	Ref.	Code	Description	Pkg.	No.	Ref.	Code	Description	Pkg.
1	.12.40870	52700XF	Electrode K2 Air	5	6	.11.833.101.158	60595.50	Shield cap ø 5.0 V4350	5
	.11.828.921.300	52700AG	Electrode K2 - XL <b>Silver</b>	5		.11.833.101.159	60595.60	Shield cap ø 6.0 V4360	5
2	.12.40860	60067	Swirl ring Teflon V101	2	7	.11.833.121.300	52702AG	Electrode K3 XL <b>Silver</b>	5
	.12.40860	60067/V	Swirl ring Max Life V101	2	8	.11.836.921.300	52703AG	Electrode T012 <b>Silver</b>	5
3	.11.828.901.414	51306XF	Nozzle L3 XL O <sub>2</sub> 120A	5	9	.11.836.921.154	60069	Swirl ring T102 Teflon	2
	.11.828.901.420	51307XF	Nozzle L1 XL O <sub>2</sub> 160A	5		.11.836.921.153	60070	Swirl ring T101 Teflon	2
	.11.828.901.425	51308XF	Nozzle L2 XL O <sub>2</sub> 250A	5	10	.11.836.921.420	51303	Nozzle - 200A T2120	5
4	.12.37790	60364	Conical retaining cap ø 38 V3000	2		.11.836.921.425	51304	Nozzle - 250A T2125	5
5	.11.833.101.271	60590	Nozzle fiberglass V521	1		.11.836.921.427	51305	Nozzle - 300A T2127	5
5a	.10.505.961	60590.41	O-Ring Silicone	10	11	.11.833.111.155	60594.30	Shield cap ø 3.0 V4530	5
6	.11.833.101.150	60595.30	Shield cap ø 3.0 V4330	5		.11.833.111.156	60594.40	Shield cap ø 4.0 V4540	5
	.11.833.101.155	60595.35	Shield cap ø 3.5 V4335	5		60594.45	Shield cap ø 4.5 V4545	5	
	.11.833.101.156	60595.40	Shield cap ø 4.0 V4340	5		.11.833.111.158	60594.50	Shield cap ø 5.0 V4550	5
	.11.833.101.157	60595.45	Shield cap ø 4.5 V4345	5		.11.833.111.159	60594.60	Shield cap ø 6.0 V4560	5

**THERMAL DYNAMICS®**

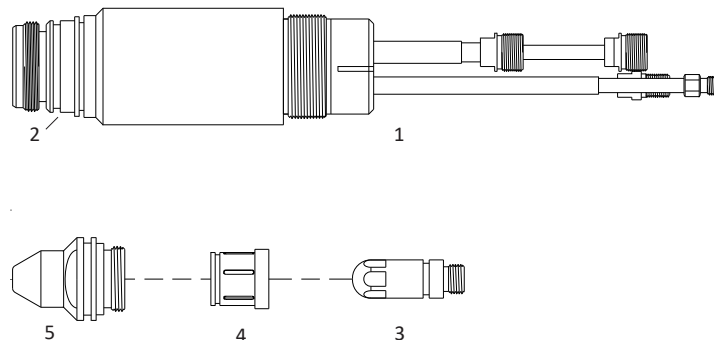
Maximizer 300®  
 Merlin 1000®  
 Merlin 3000®  
 Merlin 6000®  
 Merlin 6000 GST®



No.	Ref.	Code	Description	Pkg.	No.	Ref.	Code	Description	Pkg.
1	9-6410	08310/TD	180° Torch Head	1	5	20-1034	51354	Tip 300A	5
2	8-0538	60341.41	O-Ring	20	6	20-1002	60396S	Shield cap body fiberglass	1
3	20-1010	52615	Electrode O <sub>2</sub> 100-225A	10	20-1029	60397S	Shield cap body Underwater	1	
	20-1018	52614	Electrode Air 50-225A	10		60398	Shield cap body <b>Maximum Life</b>	1	
	20-1021	52613	Electrode Air/O <sub>2</sub> 300A	10	7	20-1003	51990	End cap 50A	1
	20-1023	52616	Electrode N <sub>2</sub> 50-300A	10	20-1004	51991	End cap 100-225A	1	
4	20-1215	60052	Gas Distributor	2	20-1005	51992	End cap 300A	1	
5	20-1030	51350	Tip 50A	5	8	20-1007	80023	End cap Non-Conductive	1
	20-1031	51351	Tip 100A	5	9	20-1008	51994	Shield cap retainer	1
	20-1032	51352	Tip 150A	5	10	20-1027	51997	Shield cap retainer	1
	20-1033	51353	Tip 225A	5					

**THERMAL DYNAMICS®**

PCM-120®  
 Pak Master 150XL®



**ON REQUEST**

No.	Ref.	Code	Description	Pkg.	No.	Ref.	Code	Description	Pkg.
1	9-6410	08310/TD	180° Torch head	1	5	20-1220	51360	Tip 35A	5
2	8-0538	60341.41	O-Ring	20		20-1221	51361	Tip 70A	5
3	20-1210	52612	Electrode Air - Cutting	5		20-1222	51362	Tip 120A	5
4	20-1215	60052	Gas Distributor	2					

**SAF®**  
**CPM-400®**  
**CPM-400® BLACK**

30A

50A

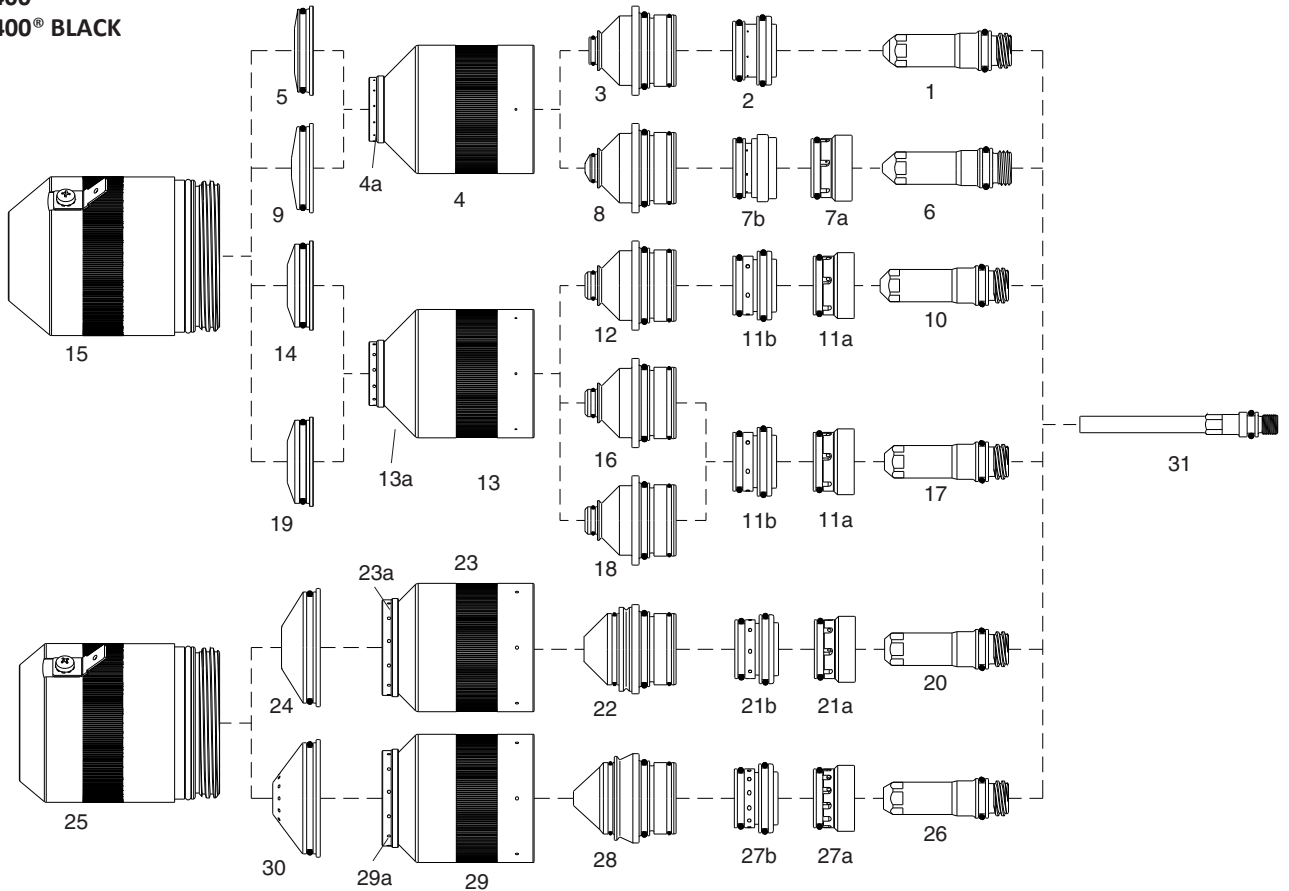
80A

100A

130A

200A

260A



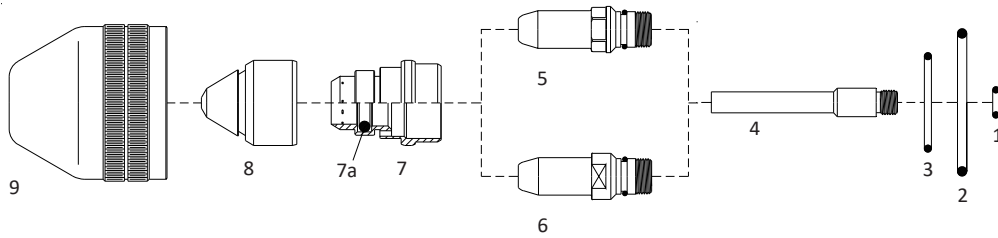
No.	Ref.	Code	Description	Pkg.	No.	Ref.	Code	Description	Pkg.
1	W000275448	52769	Electrode 30A	10	19	W000275462	60745	Shield 100-130A	1
2	W000275449	60140	Swirl Ring 30A Max Life	1	20	W000275467	52767	Electrode 200A	10
	W000275449	60140L	Swirl Ring 30A <b>LAVA</b>	1	21a	W000402814	60103	Swirl Ring 200A <b>NEW</b>	2
3	W000275447	51741	Nozzle 30A	5	21b	W000275470	60143	Swirl Ring 200A Max Life	1
4	W000275446	60770	Retaining cap 30-50A	1		W000275470	60143L	Swirl Ring 200A <b>LAVA</b>	1
5	W000275443	60741	Shield 30A	1	22	W000275468	51746	Nozzle 200A	5
6	W000275452	52764	Electrode 50A	10	23	W000275472	60772	Retaining cap 200A	1
7a	W000402840	60101	Swirl Ring 50A <b>NEW</b>	2	24	W000275473	60746	Shield 200A	1
7b	W000275455	60141	Swirl Ring 50A Max Life	1	25	W000275439	60775	Shield cap 200-260A "Top Quality"	1
	W000275455	60141L	Swirl Ring 50A <b>LAVA</b>	1		W000275439L	60775L	Shield cap 200-260A	1
8	W000275451	51742	Nozzle 50A	5	26	W000275475	52768	Electrode 260A	10
9	W000275450	60742	Shield 50A	1	27a	W000402815	60104	Swirl Ring 260A <b>NEW</b>	2
10	W000275460	52765	Electrode 80A	10	27b	W000275477	60144	Swirl Ring 260A Max Life	1
11a	W000402813	60102	Swirl Ring 80-130A <b>NEW</b>	2		W000275477	60144L	Swirl Ring 260A <b>LAVA</b>	1
11b	W000275461	60142	Swirl Ring 80-130A Max Life	1	28	W000275476	51747	Nozzle 260A	5
	W000275461	60142L	Swirl Ring 80-130A <b>LAVA</b>	1	29	W000275478	60773	Retaining cap 260A	1
12	W000275459	51743	Nozzle 80A	5	30	W000275479	60747	Shield 260A	1
13	W000275458	60771	Retaining cap 80-130A	1	31	W000275433	60607	Water cooling tube	1
14	W000275456	60743	Shield 80A	1				<b>RING for retaining Cap</b>	
15	W000275442	60774	Shield cap 80-130A "Top Quality"	1	4a	W000275446R	60150	RING for Retaining Cap 30-50A	2
	W000275442L	60774L	Shield cap 80-130A	1	13a	W000275458R	60151	RING for Retaining Cap 80-130A	2
16	W000275463	51744	Nozzle 100A	5	23a	W000275472R	60152	RING for Retaining Cap 200A	2
17	W000275466	52766	Electrode 100-130A	10	29a	W000275478R	60153	RING for Retaining Cap 260A	2
18	W000275465	51745	Nozzle 130A	5					

Tec.Mo. srl is in no way affiliated or connected with any of the manufacturers referred to in this catalogue. The parts advertised for sale are not genuine parts, but are parts made for and by Tec.Mo. srl. The use of original equipment manufacturer's part numbers and/or any manufacture's registered or unregistered trade marks are for your convenience only.

**SAF® - FRO®**

OCP-150®

For use with O<sub>2</sub>



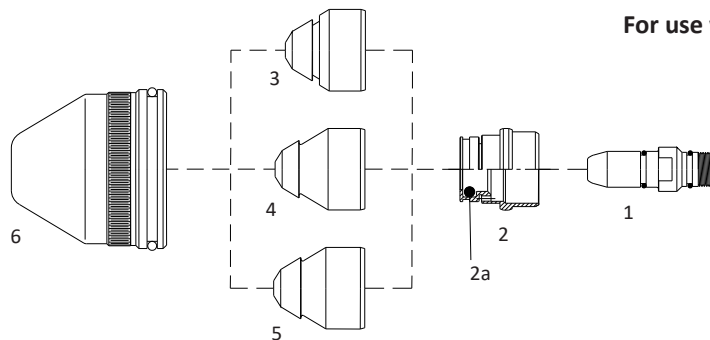
No.	Ref.	Code	Description	Pkg.	No.	Ref.	Code	Description	Pkg.
1	0408-1238	60600.44	O-Ring Nitrile	20	7a	0409-2168	60601.41	O-Ring Silicone	20
2	0408-1282	60600.43	O-Ring Nitrile	20	8	0409-2173	51600.07	Tip 30A	5
3	0408-1284	60600.42	O-Ring Nitrile	20		0409-2174	51600.08	Tip 40A	5
4	0409-2154	60602	Diffusor	1		0409-2176	51600.10	Tip 60A	5
5	0409-2184	52595	Electrode	5		0409-2183	51600.13	Tip 90A	5
6	0409-2185	52596	Electrode - HX5	5		0409-2186	51600.16	Tip 120A	5
7	0409-2170	60601	Swirl ring OCP VD6 60A	2	9	0409-2166	60600	Retaining cap	1
	0409-2169	60603	Swirl ring OCP VD15 120A	2					

**SAF® - FRO®**

OCP-150®

ON REQUEST

For use with N<sub>2</sub>

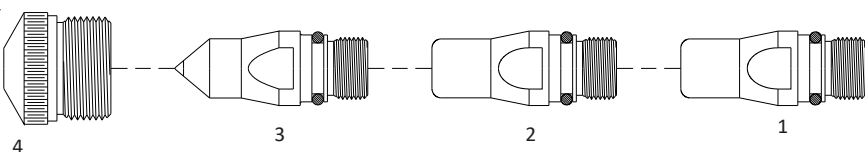


No.	Ref.	Code	Description	Pkg.	No.	Ref.	Code	Description	Pkg.
1	0409-2194	52596W	Electrode W15, N2 Ar/H <sub>2</sub>	5	4	0409-2239	51705	Tip 90A N90 N <sub>2</sub>	5
2	0409-2209	60605	Diffusor NL, N2 Ar/H <sub>2</sub>	2		0409-2240	51706	Tip 120A N120 N <sub>2</sub>	5
2a	0409-2168	60601.41	O-Ring Silicone	20	5	0409-2249	51708	Tip 90A A90 Ar/H <sub>2</sub>	5
3	0409-2231	51700	Tip 15A N15 N <sub>2</sub>	5		0409-2250	51709	Tip 120A A120 Ar/H <sub>2</sub>	5
	0409-2233	51701	Tip 30A N30 N <sub>2</sub>	5	6	0409-2210	60606	Retaining cap N <sub>2</sub> Ar/H <sub>2</sub>	1
	0409-2234	51702	Tip 40A N40 N <sub>2</sub>	5					
	0409-2236	51703	Tip 60A N60 N <sub>2</sub>	5					

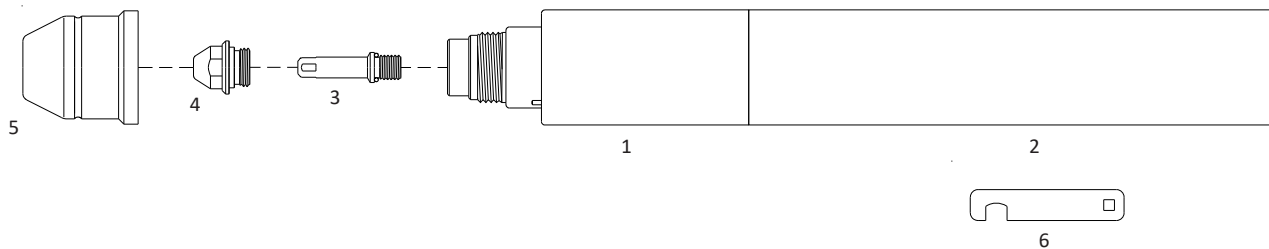
**SAF® - CPM-15®**

**FRO®**

ON REQUEST



No.	Ref.	Code	Description	Pkg.	No.	Ref.	Code	Description	Pkg.
1	0409-1204	52592	Electrode Air W000325063	5	4	0409-1212	51615.12	Tip 60A W000325069	5
2	0409-1205	52593	Electrode N <sub>2</sub> W000325064	5		0409-1216	51615.16	Tip 100A W000325072	5
3	0409-1206	52594	Electrode Ar/H W000325065	5		0409-1218	51615.18	Tip 150A W000325073	5
4	0409-1210	51615.10	Tip 40A W000325067	5					

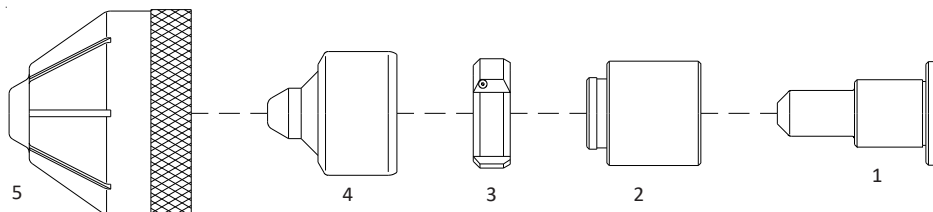
**OTC®**  
**D - 12000**


(\*) with parts in place and 60354

No.	Ref.	Code	Description	Pkg.	No.	Ref.	Code	Description	Pkg.
		07840	Machine torch 6m	1	5		80054	Shield cap Ceramic	10
		07850	Machine torch 12m	1			60354	Shield cap Fiberglass	10
1		07811	Machine torch head (*)	1					
2		07215	Machine handle	1	6		07800.57	Wrench for tip & electrode	1
3	H839M00	52750/OR	Electrode with O-Ring	10					
4	H839K03	51269	Tip $\varnothing$ 0.8 30A	10			07890	Cable 6m Machine torch	1
	H839K02	51270	Tip $\varnothing$ 1.0 50A	10			07895	Cable 12m Machine torch	1
	H839K01	51271	Tip $\varnothing$ 1.3 80A	10					
	H839G03	51272	Tip $\varnothing$ 1.6 120A	10					

**KOMATSU®**  
**G 940®**

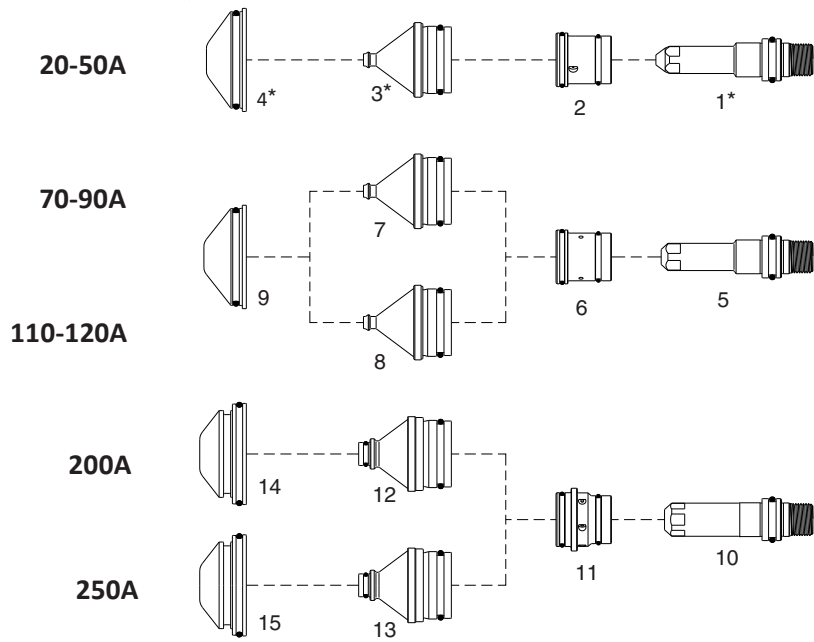
ON REQUEST



No.	Ref.	Code	Description	Pkg.	No.	Ref.	Code	Description	Pkg.
1	7848-60-5330	52850	Electrode	5	4	7848-60-5170	51499	Tip $\varnothing$ 0.5	5
2	7848-60-5350	80050	Insulating sleeve	2		7848-60-5130	51500	Tip $\varnothing$ 0.6	5
3	7848-60-5360	60450	Swirl ring	2		7848-60-5160	51501	Tip $\varnothing$ 0.7	5
4	7848-60-5150	51498	Tip $\varnothing$ 0.4	5	5	7848-60-5110	60550	Conical retaining cap	1


**Notes**

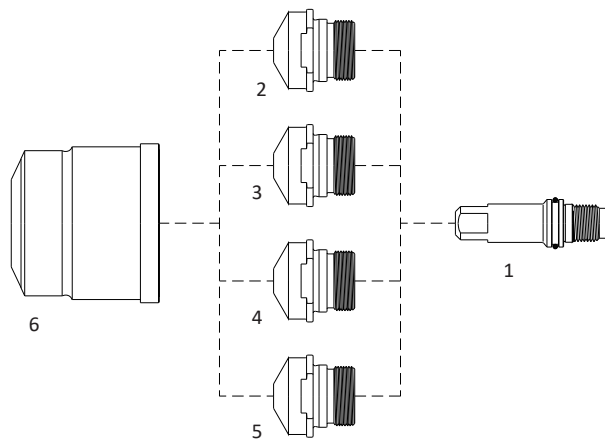
**CEBORA®**  
**CP 251G®**



\* High Performance parts are not interchangeable with the original parts

No.	Ref.	Code	Description	Pkg.	No.	Ref.	Code	Description	Pkg.
1	1872td	52547TD	Electrode 20/50A <b>High Performance</b>	10	9	1990	60720	Shield 70/120A	5
2	1968	60015	Swirl ring 20/50A	2	10	1874	52548	Electrode 200/250A	10
3	1852td	51060TD	Tip $\varnothing$ 0.8 20/50A <b>High Performance</b>	5	11	1969	60016	Swirl ring 200/250A	2
4	1990td	60720TD	Shield 20/50A <b>High Performance</b>	5	12	1798	51063	Tip $\varnothing$ 1.6 200A	5
5	1870	52546	Electrode 70/120A	10	13	1799	51064	Tip $\varnothing$ 1.9 250A	5
6	1967	60014	Swirl ring 70/120A	2	14	1991	60721	Shield 200A	5
7	1853	51061	Tip $\varnothing$ 1.1 70/90A	5	15	1993	60723	Shield 250A	5
8	1854	51062	Tip $\varnothing$ 1.3 110/120A	5					

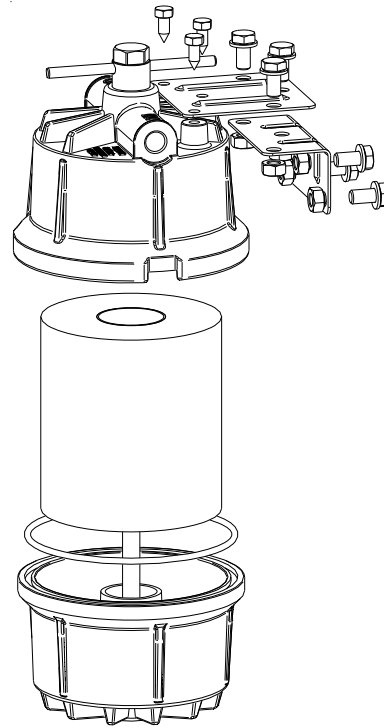
**CEBORA®**  
**CP 200®**



**ON REQUEST**

No.	Ref.	Code	Description	Pkg.	No.	Ref.	Code	Description	Pkg.
1	1367	52542	Electrode 200A	5	4	1844	51073	Tip $\varnothing$ 1.6 80-120A	5
2	1842	51071	Tip $\varnothing$ 1.0 20-50A	5	5	1845	51074	Tip $\varnothing$ 1.8 110-150A	5
3	1843	51072	Tip $\varnothing$ 1.3 40-90A	5	6	1905	60327	Nozzle holder	1

## AIR FILTER "AT1000"



Code	Description	Pkg.
50500	Air filter complete - ready to fit	1 box x 12 pieces (packed individually) dimensions: 44x30xh47 (Kg 17.8)
50505	Filter-cartridge	1 box containing 6 boxes x 8 (total 48 pieces) dimensions: 66x44xh25 (Kg 12)

## HYPERCOOLANT Circuit Cooler



Code	Description	Pkg.
50001	Hypercoolant - Circuit Cooler (5 Lt.)	1 box x 4 pieces (Kg 20) dimensions: 44x30xh30 (Kg. 20)



## CNC Plasma Water Table

**Ask for more specific information**



- Eliminates the need for the suction hood
- Preserve the cutting table technical and mobile parts from rust corrosion
- Solves the problem of rust in the finished piece
- Catches 98 % of fumes and dust
- Absorbs the majority of sparks

## Plasma Fluid RI-MEC 100/PCF



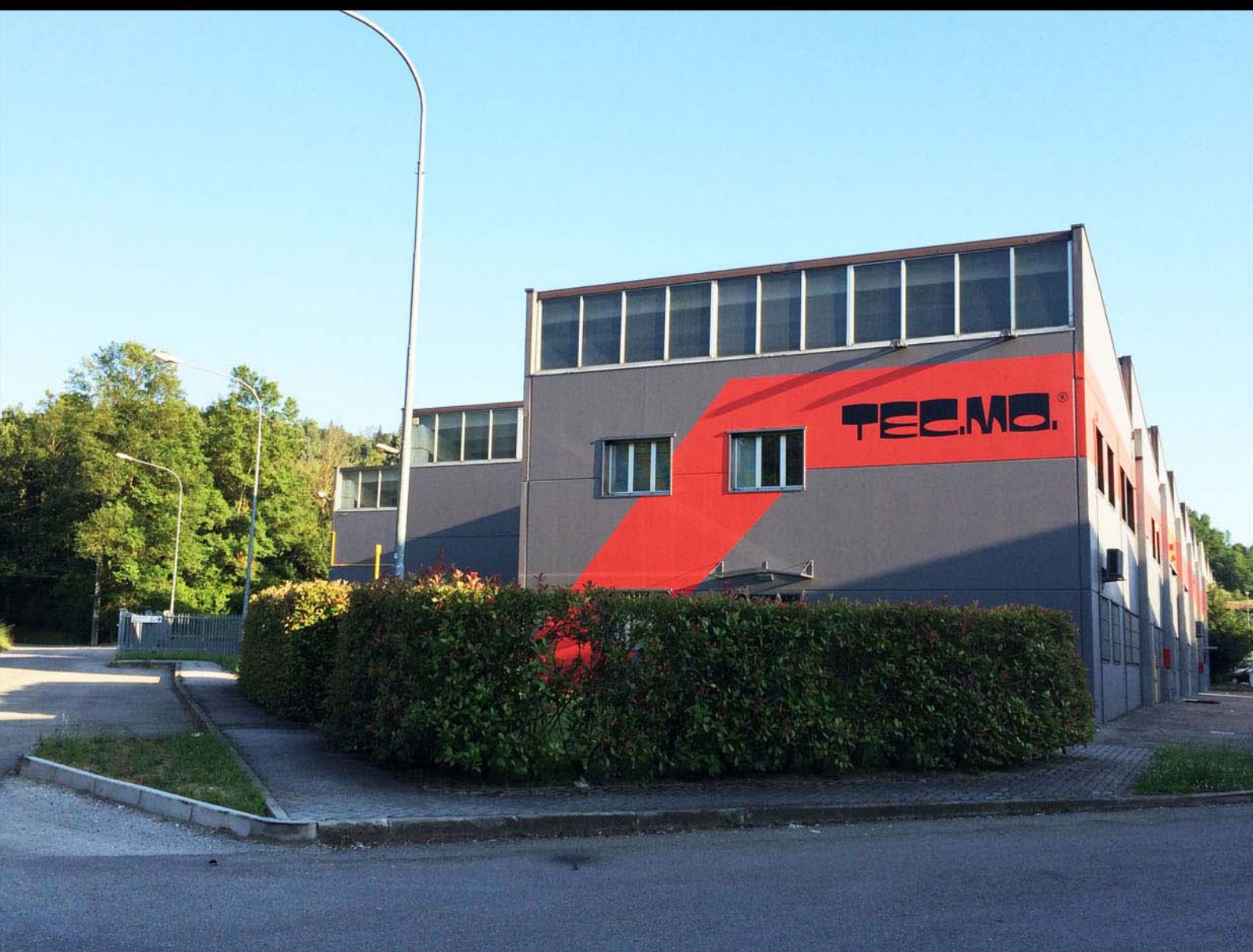
Code	Description	Pkg.
50005	Plasma Fluid RI-MEC 100/PCF (5 Lt.)	1 box x 4 pieces (Kg 20)
		dimensions: 44x30x30 (Kg. 20)





# TEC.MO.®

*the best solution for all your needs*



**TEC.MO.** s.r.l.      Via Rio Fabbiani 8 - 40067 RASTIGNANO - BOLOGNA - ITALY

Phone: + 39051743123 - Fax: +39051743758 - E-mail: [tecmo@tecmo.it](mailto:tecmo@tecmo.it) - [www.tecno.it](http://www.tecno.it)