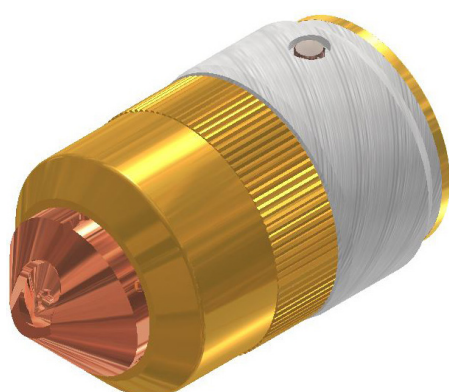
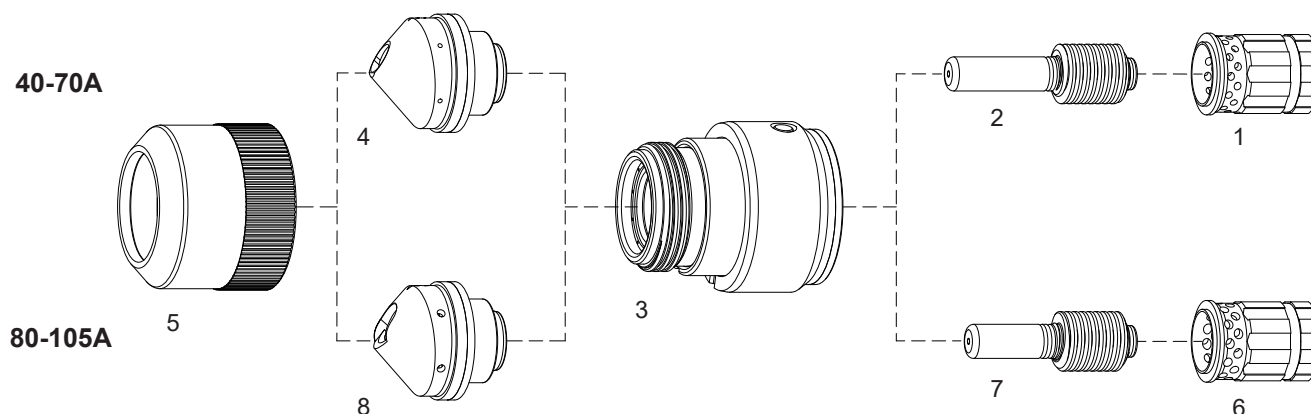


TEC.MO.®

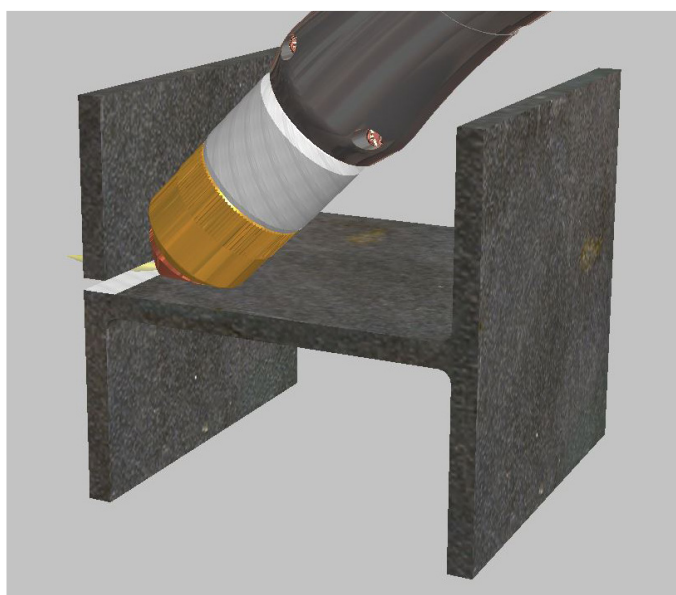
TH-70/105

FLATCUT®

with 45 degree inclined arc for cutting Flat



#	Code	Description	Pkg
	53501T	Standard KIT 40-70A	1
1	60075	Swirl Ring 40-70A	2
2	53519	Electrode 40-70A	5
3	53510T	Retaining Cap	1
4	53530	Tip 40-70A	5
5	53541	Retaining Ring	2
	53502T	Standard KIT 80-105A	1
6	60076	Swirl Ring 80-105A	2
7	53520	Electrode 80-105A	5
3	53510T	Retaining Cap	1
8	53531	Tip 80-105A	5
5	53541	Retaining Ring	2

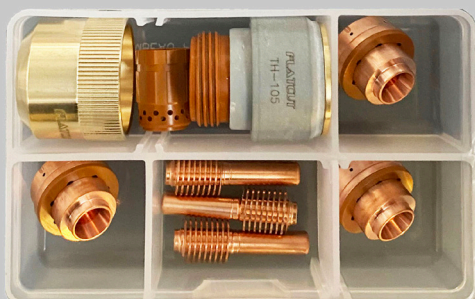


FLATCUT®

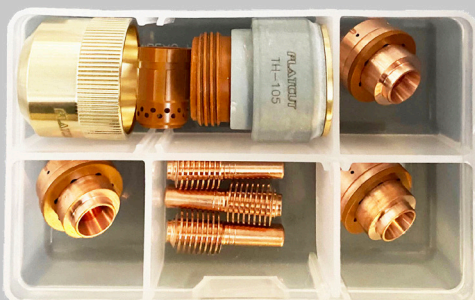
Some cutting examples that can be performed
with the FLATCUT

BXATH105-FC**BXATH105-FC Special Box**

Code	Description	Qty
60075	Swirl Ring 40-70A	1
53519	Electrode 40-70A	5
53530	Tip 40-70A	5
60076	Swirl Ring 80-105A	1
53520	Electrode 80-105A	5
53531	Tip 80-105A	5
53502T	Standard KIT 80-105A	1

BXDTH70-FC**BXDTH70-FC Mini Kit 40-70A**

Code	Description	Qty
60075	Swirl Ring 40-70A	1
53519	Electrode 40-70A	3
53510T	Retaining Cap	1
53530	Tip 40-70A	3
53541	Retaining Ring	1

BXDTH105-FC**BXDTH105-FC Mini Kit 80-125A**

Code	Description	Qty
60076	Swirl Ring 80-105A	1
53520	Electrode 80-105A	3
53510T	Retaining Cap	1
53531	Tip 80-105A	3
53541	Retaining Ring	1