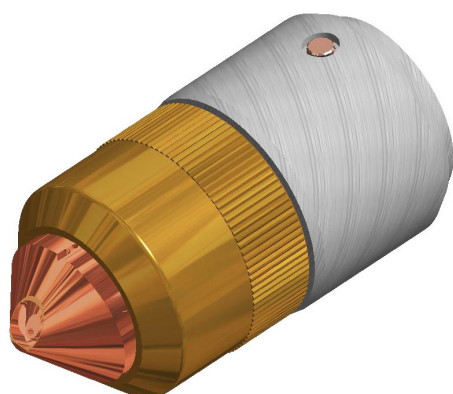
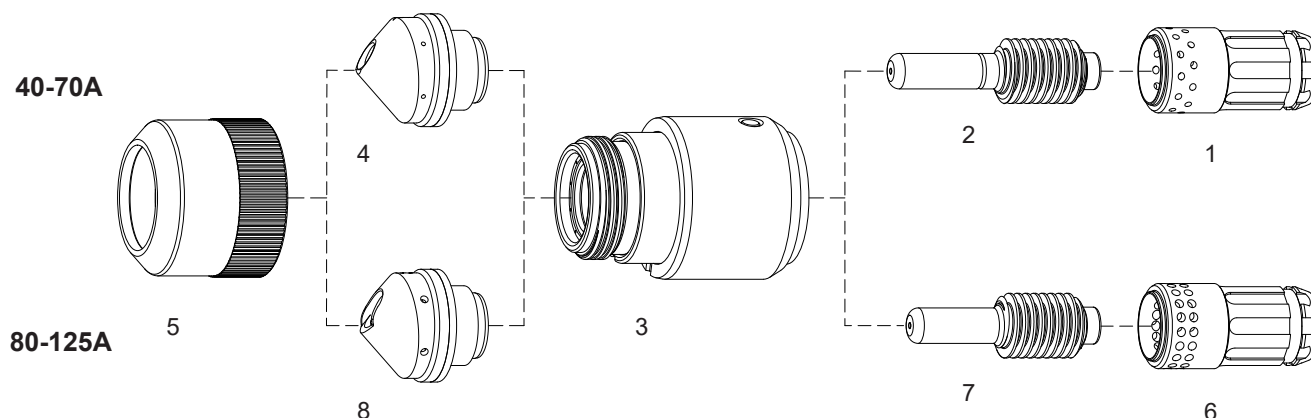
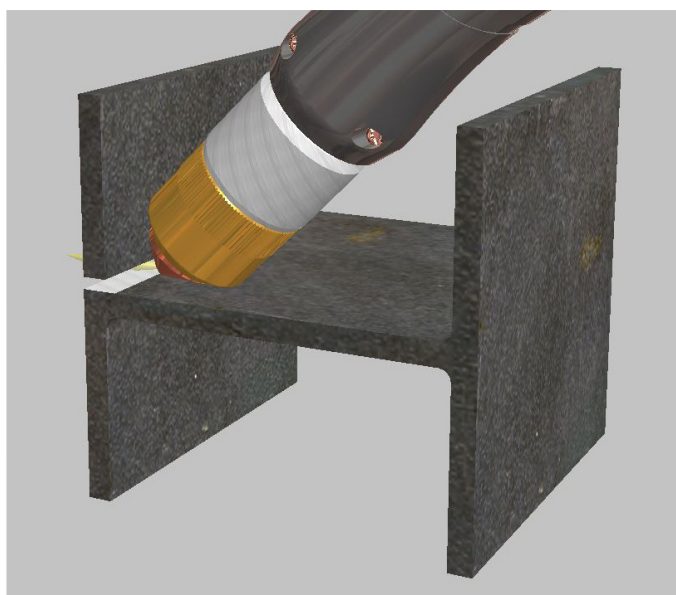


FLATCUT®

with 45 degree inclined arc for cutting Flat



#	Code	Description	Pkg
	53504	Standard KIT 40-70A	1
1	60062	Swirl Ring 40-70A	2
2	53521	Electrode 40-70A	5
3	53511	Retaining Cap	1
4	53532	Tip 40-70A	5
5	53541	Retaining Ring	2
	53505	Standard KIT 80-125A	1
6	60063	Swirl Ring 80-125A	2
7	52677	Electrode 80-125A	5
3	53511	Retaining Cap	1
8	53533	Tip 80-125A	5
5	53541	Retaining Ring	2

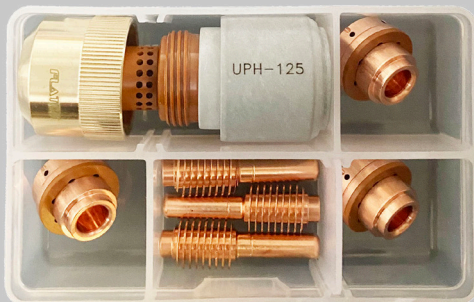


FLATCUT®

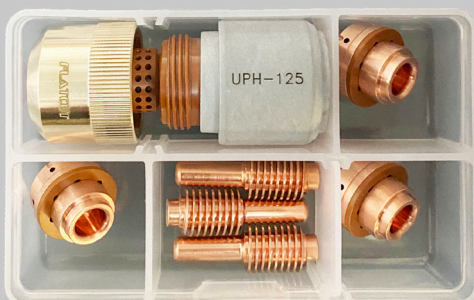
Some cutting examples that can be performed
with the FLATCUT

BXAUPH125-FC**BXAUPH125-FC Special Box**

Code	Description	Qty
60062	Swirl Ring 40-70A	1
53521	Electrode 40-70A	5
53532	Tip 40-70A	5
60063	Swirl Ring 80-125A	1
52677	Electrode 80-125A	5
53533	Tip 80-125A	5
53505	Standard KIT 80-125A	1

BXDUPH125-70FC**BXDUPH125-70FC Mini Kit 40-70A**

Code	Description	Qty
60062	Swirl Ring 40-70A	1
53521	Electrode 40-70A	3
53511	Retaining Cap	1
53532	Tip 40-70A	3
53541	Retaining Ring	1

BXDUPH125-125FC**BXDUPH125-125FC Mini Kit 80-125A**

Code	Description	Qty
60063	Swirl Ring 80-125A	1
52677	Electrode 80-125A	3
53511	Retaining Cap	1
53533	Tip 80-125A	3
53541	Retaining Ring	1