

PLASMA CUTTING**UNICUT**[®]

Single-use cartridges PLUG and CUT

FLATCUT[®]

with 45 degree inclined arc for cutting Flat

IRONCUT[®]

New high visibility consumable system
to cut inaccessible parts.

TH
TORCHES

35+
Years

35+ years

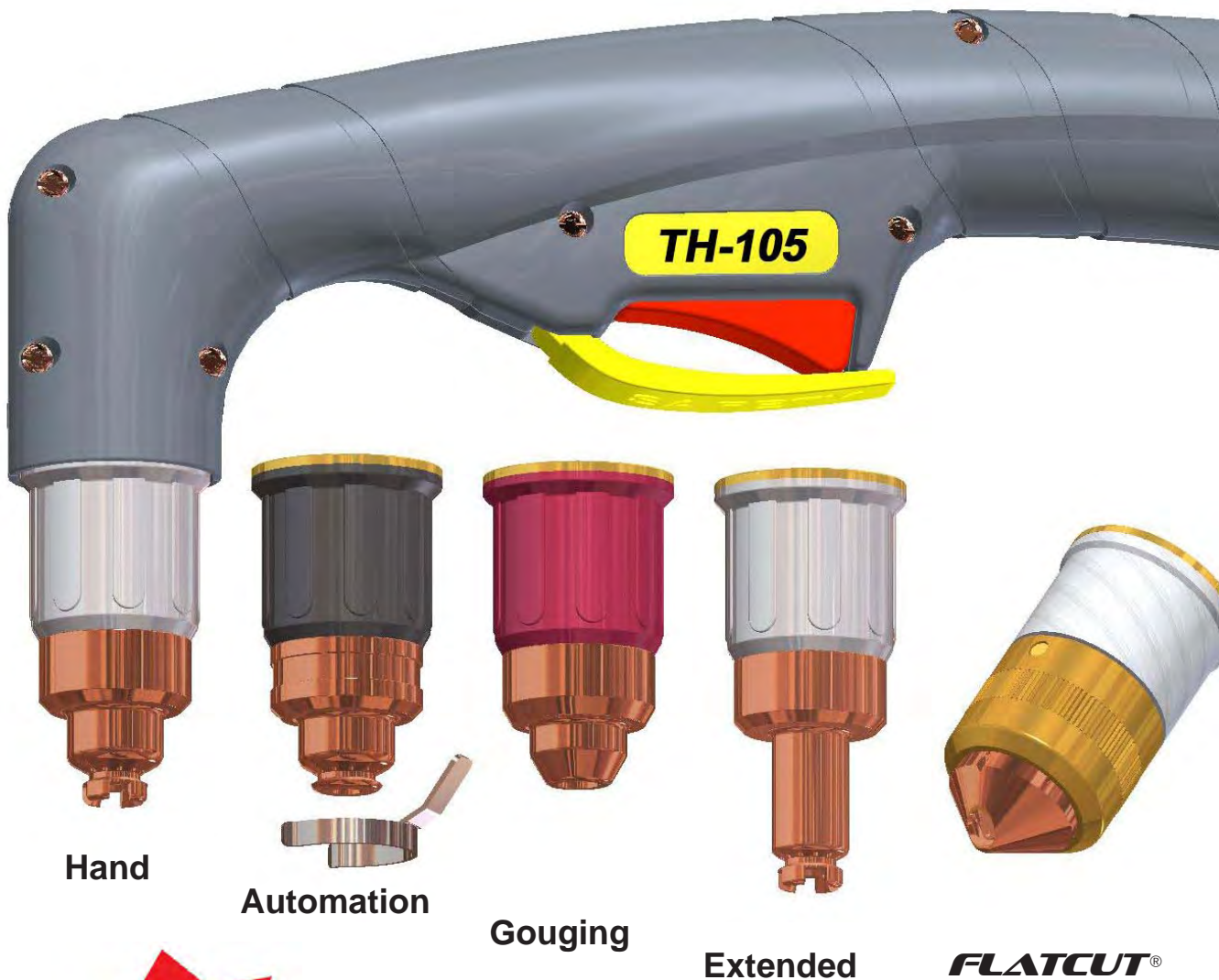
TEC.MO.®

TH-70/105

PLASMA CUTTING TORCHES

UNICUT®

Single-use cartridges PLUG and CUT



- Easy replacement of consumable parts
- Eliminated the risk of using unsuitable spare parts
- Identification by color based on application
- Reduced number of items in stock






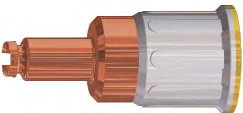

35+
years

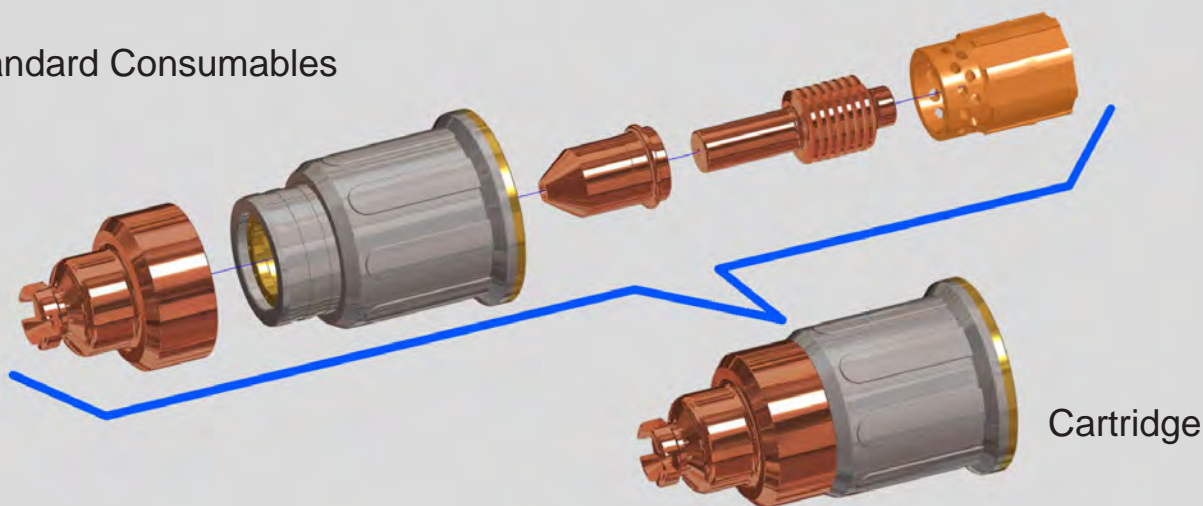
TEC.MO.®

TH-70/105

PLASMA CUTTING TORCHES

UNICUT®**Single-use cartridges PLUG and CUT**

	Code	Description
Hand 	53601MT	Cartridge TH-70/105 45A hand cutting
	53602MT	Cartridge TH-70/105 70A hand cutting
	53603MT	Cartridge TH-105 85A hand cutting
	53604MT	Cartridge TH-105 105A hand cutting
Automation 	53606MT	Cartridge TM-70/105 45A machine cutting
	53607MT	Cartridge TM-70/105 70A machine cutting
	53608MT	Cartridge TM-105 85A machine cutting
	53609MT	Cartridge TM-105 105A machine cutting
	53671.44	Clip OHMIC (pcs.3)
Gouging 	53611MT	Cartridge TH-70/105 45A Gouging
	53612MT	Cartridge TH-70/105 70A Gouging
	53613MT	Cartridge TH-105 105A Gouging
Extended 	53615MT	Cartridge TH-70/105 45A Extended hand cutting
	53616MT	Cartridge TH-70/105 70A Extended hand cutting
	53617MT	Cartridge TH-105 85A Extended hand cutting
	53618MT	Cartridge TH-105 105A Extended hand cutting
FLATCUT ® 	53630T	Cartridge TH-70/105 40/70A FLATCUT
	53631T	Cartridge TH-70/105 80/105A FLATCUT

Standard Consumables

35+
years

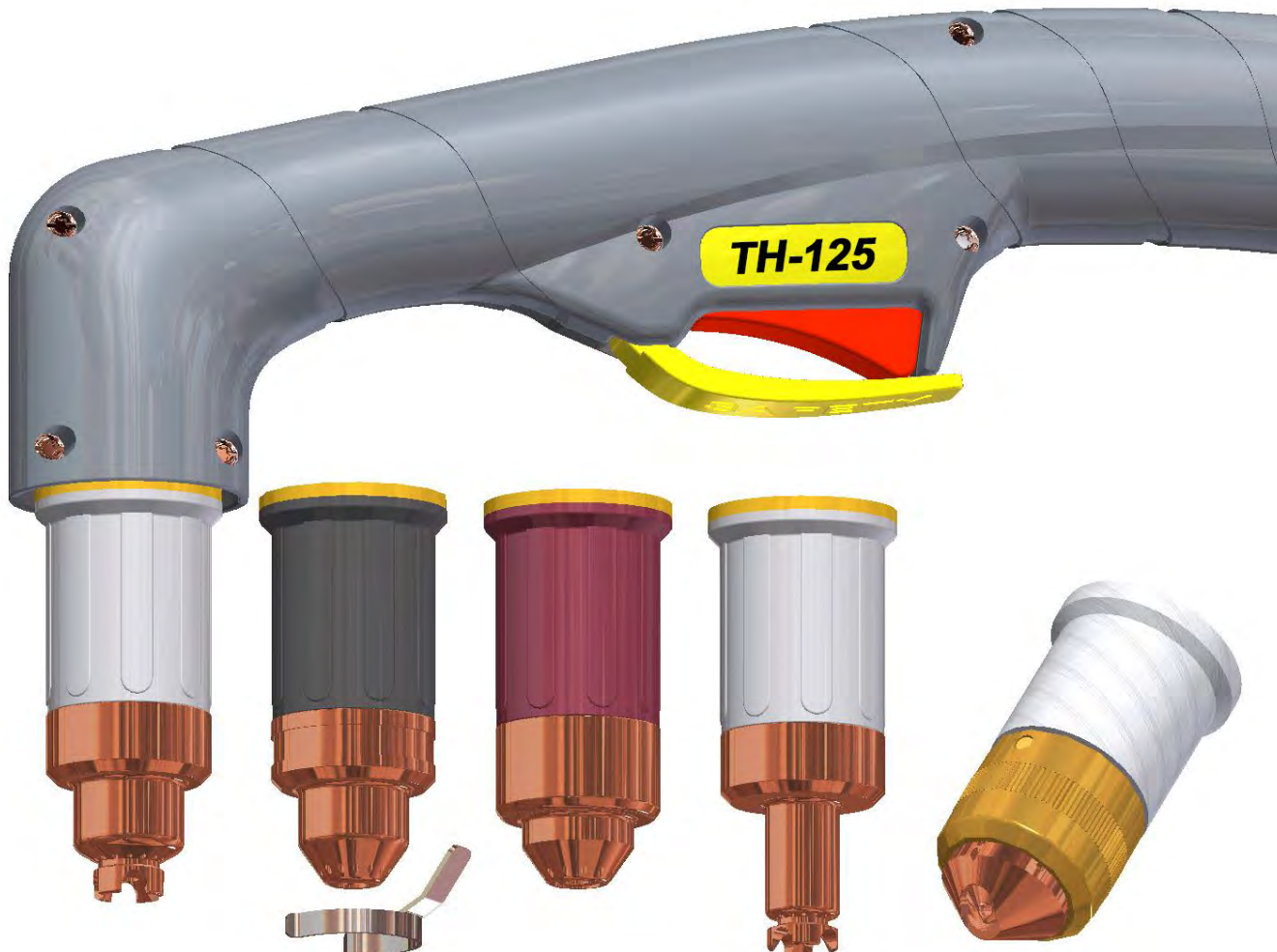
TEC.MO.®

TH-125

PLASMA CUTTING TORCHES

UNICUT®

Single-use cartridges PLUG and CUT



Hand

Automation

Gouging

Extended

FLATCUT®



- Easy replacement of consumable parts
- Eliminated the risk of using unsuitable spare parts
- Identification by color based on application
- Reduced number of items in stock




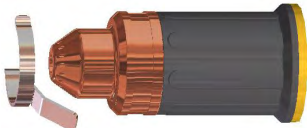
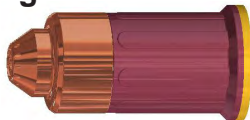
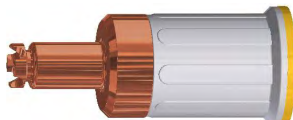
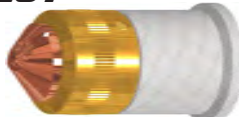
35+
years

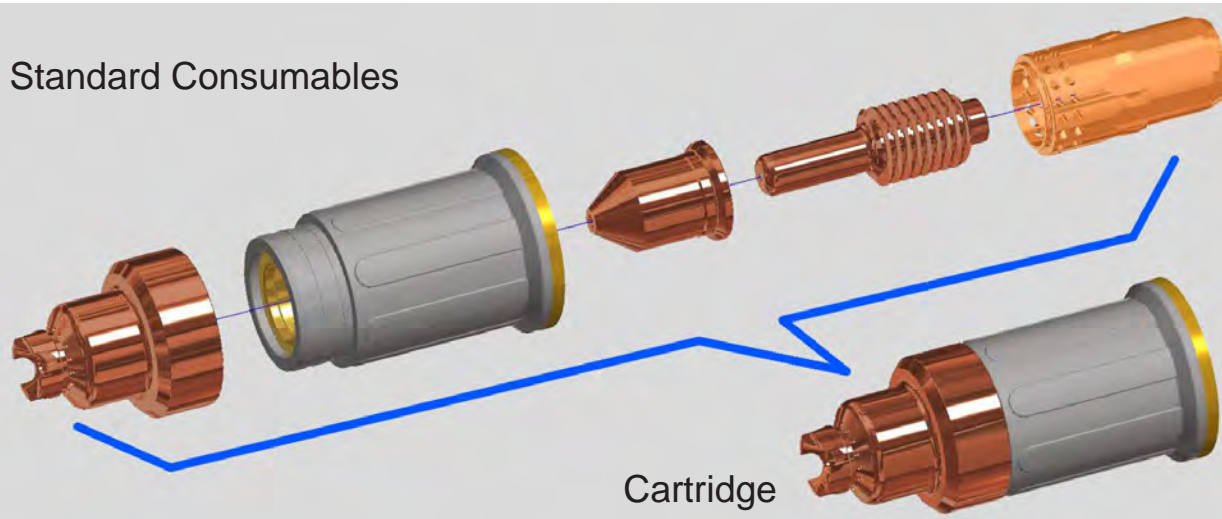
TEC.MO.®

TH-125

PLASMA CUTTING TORCHES

UNICUT®**Single-use cartridges PLUG and CUT**

	Code	Description
Hand 	53641MT	Cartridge TH-125 45A hand cutting
	53642MT	Cartridge TH-125 65A hand cutting
	53643MT	Cartridge TH-125 85A hand cutting
	53644MT	Cartridge TH-125 105A hand cutting
	53645MT	Cartridge TH-125 125A hand cutting
Automation 	53647MT	Cartridge TM-125 45A machine cutting
	53648MT	Cartridge TM-125 65A machine cutting
	53649MT	Cartridge TM-125 85A machine cutting
	53650MT	Cartridge TM-125 105A machine cutting
	53651MT	Cartridge TM-125 125A machine cutting
	53672.44	Clip OHMIC (pcs.3)
Gouging 	53654MT	Cartridge TH-125 65/85A Gouging
	53655MT	Cartridge TH-125 105A Gouging
	53656MT	Cartridge TH-125 125A Gouging
Extended 	53659MT	Cartridge TH-125 65A Extended hand cutting
	53660MT	Cartridge TH-125 85A Extended hand cutting
	53661MT	Cartridge TH-125 105A Extended hand cutting
	53662MT	Cartridge TH-125 125A Extended hand cutting
FLATCUT ® 	53632T	Cartridge TH-125 40/70A FLATCUT
	53633T	Cartridge TH-125 80/125A FLATCUT

Standard Consumables

35+
Years

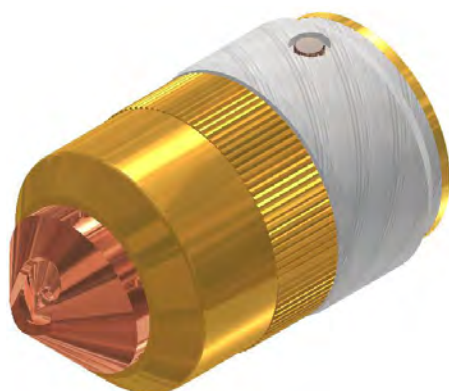
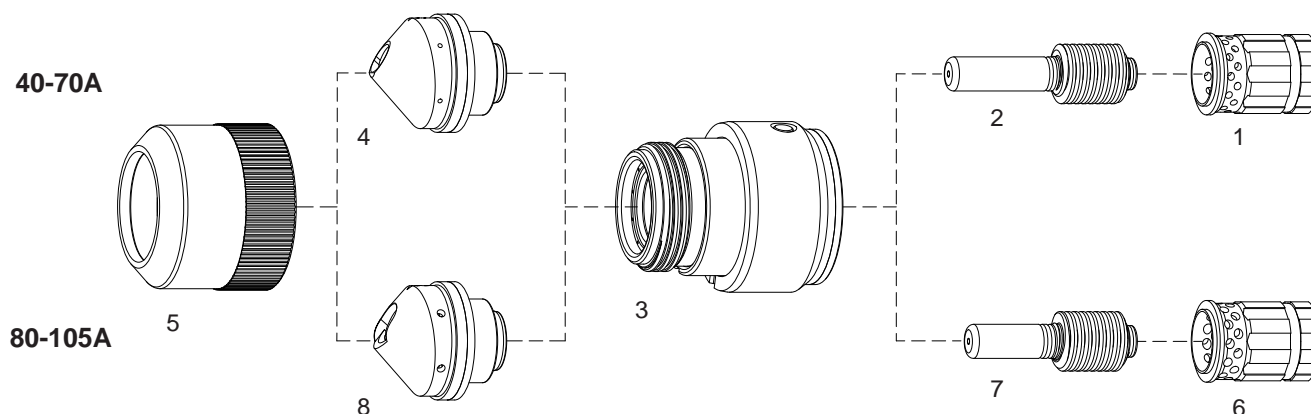
TEC.MO.®

TH-70/105

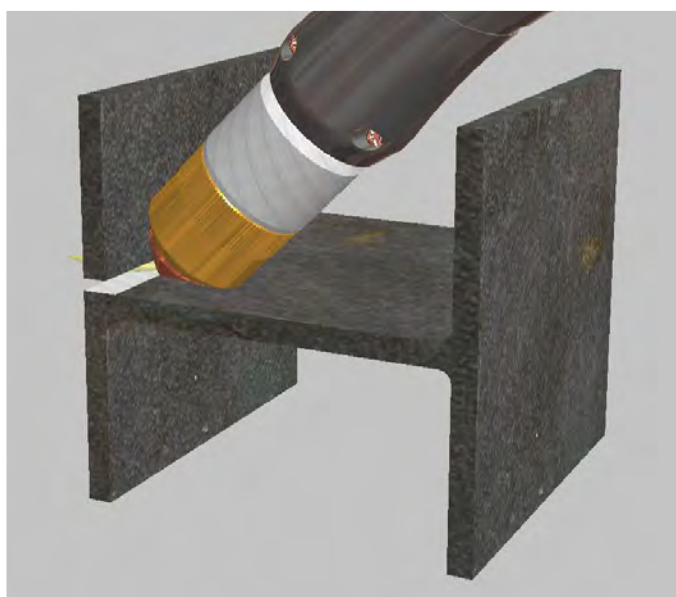
PLASMA CUTTING TORCHES

FLATCUT®

with 45 degree inclined arc for cutting Flat



#	Code	Description	Pkg
	53501T	Standard KIT 40-70A	1
1	60075	Swirl Ring 40-70A	2
2	53519	Electrode 40-70A	5
3	53510T	Retaining Cap	1
4	53530	Tip 40-70A	5
5	53541	Retaining Ring	2
	53502T	Standard KIT 80-105A	1
6	60076	Swirl Ring 80-105A	2
7	53520	Electrode 80-105A	5
3	53510T	Retaining Cap	1
8	53531	Tip 80-105A	5
5	53541	Retaining Ring	2



35+
years

TEC.MO.®

TH-70/105

PLASMA CUTTING TORCHES

FLATCUT®

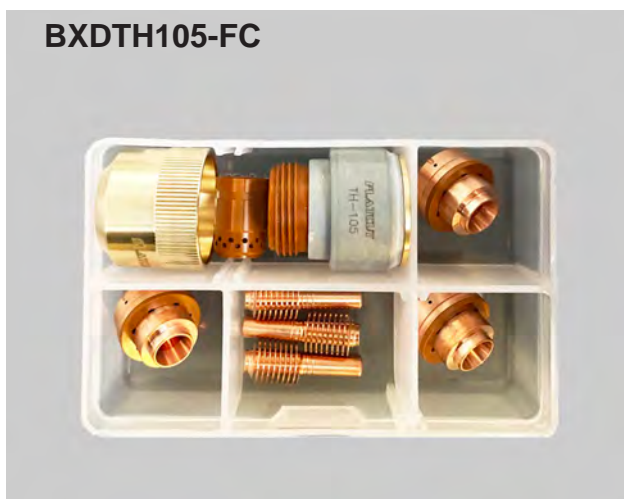
Some cutting examples that can be performed
with the FLATCUT

BXATH105-FC**BXATH105-FC Special Box**

Code	Description	Qty
60075	Swirl Ring 40-70A	1
53519	Electrode 40-70A	5
53530	Tip 40-70A	5
60076	Swirl Ring 80-105A	1
53520	Electrode 80-105A	5
53531	Tip 80-105A	5
53502T	Standard KIT 80-105A	1

BXDTH70-FC**BXDTH70-FC Mini Kit 40-70A**

Code	Description	Qty
60075	Swirl Ring 40-70A	1
53519	Electrode 40-70A	3
53510T	Retaining Cap	1
53530	Tip 40-70A	3
53541	Retaining Ring	1

BXDTH105-FC**BXDTH105-FC Mini Kit 80-125A**

Code	Description	Qty
60076	Swirl Ring 80-105A	1
53520	Electrode 80-105A	3
53510T	Retaining Cap	1
53531	Tip 80-105A	3
53541	Retaining Ring	1

35+
Years

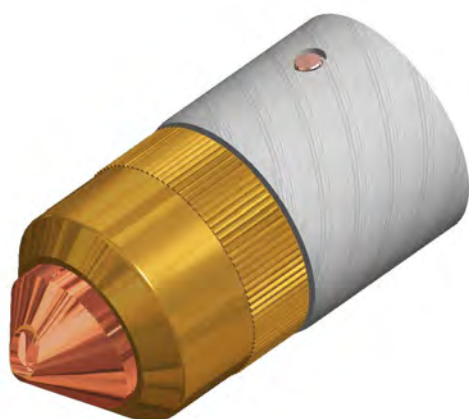
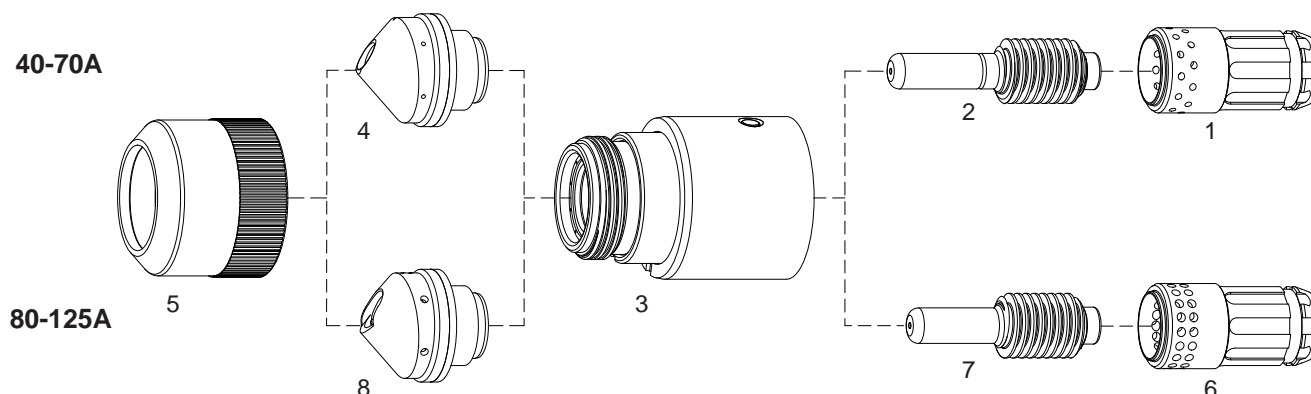
TEC.MO.®

TH-125

PLASMA CUTTING TORCHES

FLATCUT®

with 45 degree inclined arc for cutting Flat



#	Code	Description	Pkg
	53504T	Standard KIT 40-70A	1
1	60062	Swirl Ring 40-70A	2
2	53521	Electrode 40-70A	5
3	53511	Retaining Cap	1
4	53532	Tip 40-70A	5
5	53541	Retaining Ring	2
	53505T	Standard KIT 80-125A	1
6	60063	Swirl Ring 80-125A	2
7	52677	Electrode 80-125A	5
3	53511	Retaining Cap	1
8	53533	Tip 80-125A	5
5	53541	Retaining Ring	2



35+
years

TEC.MO.®

TH-125

PLASMA CUTTING TORCHES

FLATCUT®

Some cutting examples that can be performed
with the FLATCUT

BXATH125-FC**BXATH125-FC Special Box**

Code	Description	Qty
60062	Swirl Ring 40-70A	1
53521	Electrode 40-70A	5
53532	Tip 40-70A	5
60063	Swirl Ring 80-125A	1
52677	Electrode 80-125A	5
53533	Tip 80-125A	5
53505T	Standard KIT 80-125A	1

BXDTH125-70FC**BXDTH125-70FC Mini Kit 40-70A**

Code	Description	Qty
60062	Swirl Ring 40-70A	1
53521	Electrode 40-70A	3
53511T	Retaining Cap	1
53532	Tip 40-70A	3
53541	Retaining Ring	1

BXDTH125-125FC**BXDTH125-125FC Mini Kit 80-125A**

Code	Description	Qty
60063	Swirl Ring 80-125A	1
52677	Electrode 80-125A	3
53511T	Retaining Cap	1
53533	Tip 80-125A	3
53541	Retaining Ring	1

35+
years

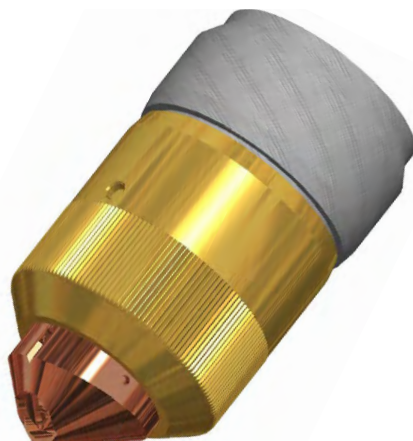
TEC.MO.®

UPH-160

PLASMA CUTTING TORCHES

FLATCUT®

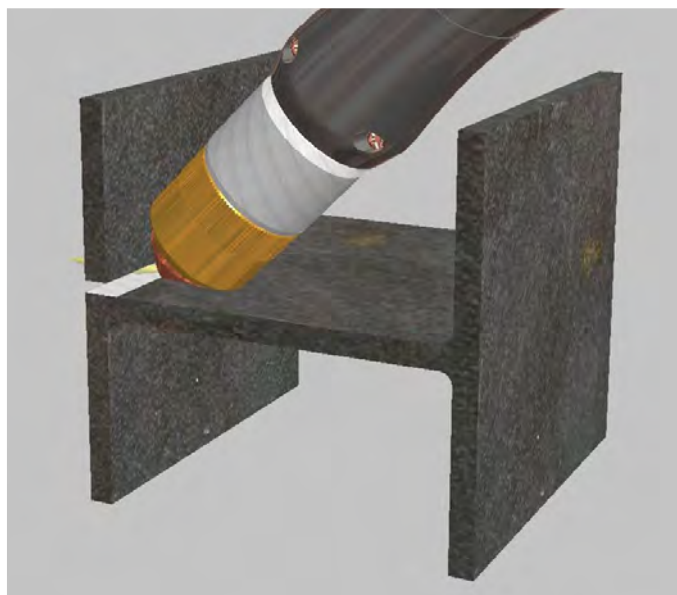
with 45 degree inclined arc for cutting Flat



Code	Description	Pkg
53637	Standard KIT 85-125A	1
53638	Standard KIT 130-160A	1

BXEUPH-160FC**BXEUPH-160FC Kit 85-160A**

Code	Description	Qty
53544	Electrode with Swirl Ring	1
53545	Retaining Cap	1
53535	Tip 85-125A	1
53536	Tip 130-160A	1
53543	Retaining Ring	1



35+
Years

35+
Years

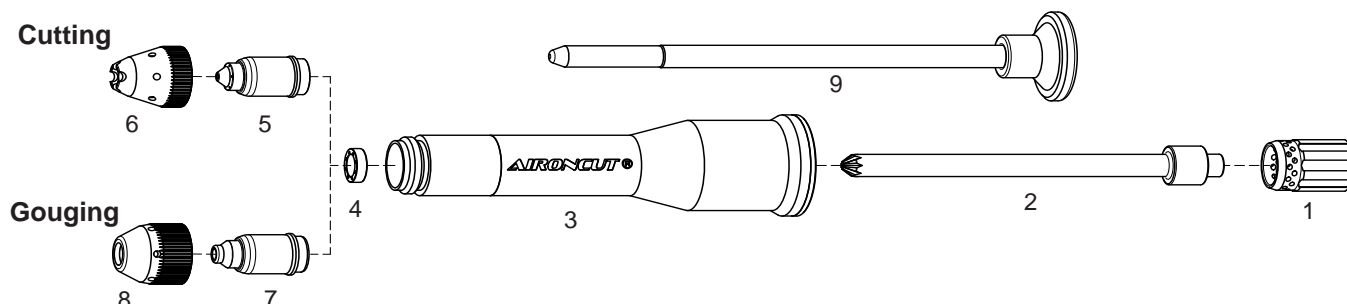
TEC.MO.®

TH-70

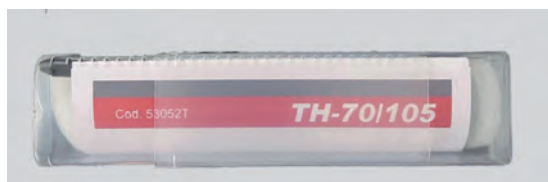
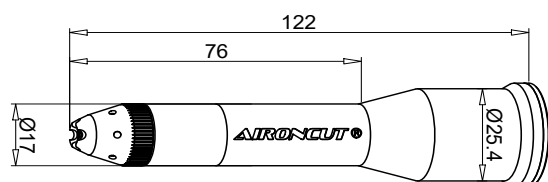
PLASMA CUTTING TORCHES

AIRONCUT®

New high visibility consumable system
to cut inaccessible parts.



For gouging use maximum 4 bar



53052T Standard Kit 70A Cutting

#	Code	Description	Pkg
1	60041E	Swirl Ring 20-70A	2
2	53001	Electrode	3
3	53012T	Shield Cup Body	1
4	53022	Vortex Ring	3
5	53031	Tip 20-45A	5
	53032	Tip 70A	5
6	53047	Shield Cap Cutting	5
7	53036	Tip 50A Gouging	5
	53037	Tip 70A Gouging	5
8	53046	Shield Cap Gouging	5
9	53080	Extractor for tip	1

BXATH70-AC**BXATH70-AC****Special Box**

Code	Description	Qty
60041E	Swirl Ring 20-70A	1
53001	Electrode	2
53022	Vortex Ring	2
53031	Tip 20-45A	3
53032	Tip 70A	5
53047	Shield Cap Cutting	2
53036	Tip 50A Gouging	3
53037	Tip 70A Gouging	5
53046	Shield Cap Gouging	2
53052T	Standard Kit 70A Cutting	1

IT Util. Pat. Pend.:
N° IT202021000001583

45A Max Thickness 8 mm
70A Max Thickness 12.5 mm

35+
Years

TEC.MO.®

TH-70

PLASMA CUTTING TORCHES

AIRONCUT®

New high visibility consumable system
to cut inaccessible parts.



35+
Years

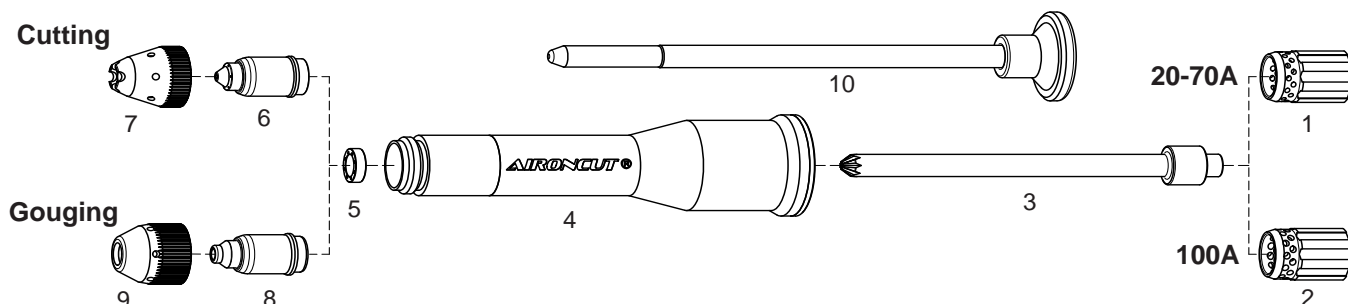
TEC.MO.®

TH-105

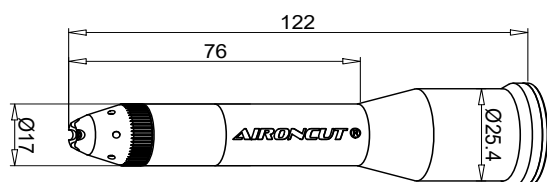
PLASMA CUTTING TORCHES

AIRONCUT®

New high visibility consumable system
to cut inaccessible parts.



For gouging use maximum 4 bar



53052T Standard Kit 70A Cutting

#	Code	Description	Pkg
1	60041E	Swirl Ring 20-70A	2
2	60024E	Swirl Ring 100A	2
3	53001	Electrode	3
4	53012T	Shield Cup Body	1
5	53022	Vortex Ring	3
6	53031	Tip 20-45A	5
	53032	Tip 70A	5
	53034	Tip 100A	5
7	53047	Shield Cap Cutting	5
8	53036	Tip 50A Gouging	5
	53037	Tip 70A Gouging	5
	53038	Tip 100A Gouging	5
9	53046	Shield Cap Gouging	5
10	53080	Extractor for tip	1

BXATH105-AC**BXATH105-AC****Special Box**

Code	Description	Qty
60041E	Swirl Ring 20-70A	1
60024E	Swirl Ring 100A	1
53001	Electrode	2
53022	Vortex Ring	2
53031	Tip 20-45A	3
53032	Tip 70A	3
53034	Tip 100A	5
53047	Shield Cap Cutting	2
53037	Tip 70A Gouging	3
53038	Tip 100A Gouging	5
53046	Shield Cap Gouging	2
53052T	Standard Kit 70A Cutting	1

IT Util. Pat. Pend.:
N° IT202021000001583

45A	Max Thickness	8 mm
70A	Max Thickness	12.5 mm
100A	Max Thickness	20.0 mm

35+
Years

TEC.MO.®

TH-105

PLASMA CUTTING TORCHES

AIRONCUT®

**New high visibility consumable system
to cut inaccessible parts.**



35+
Years

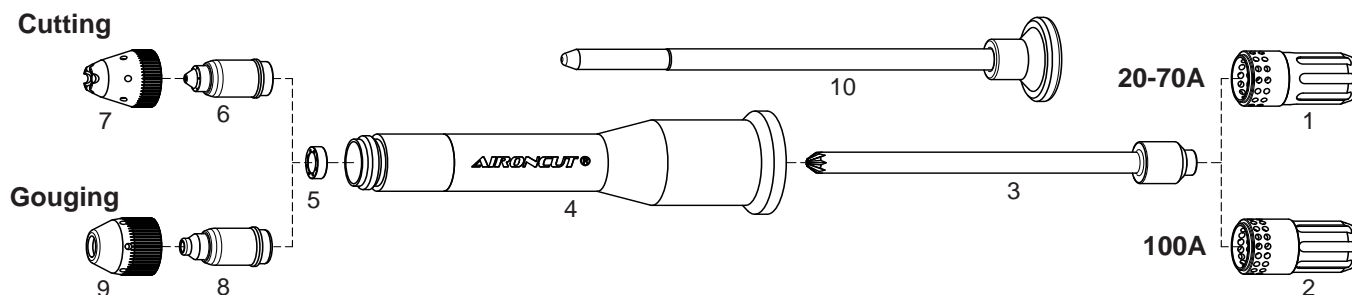
TEC.MO.®

TH-125

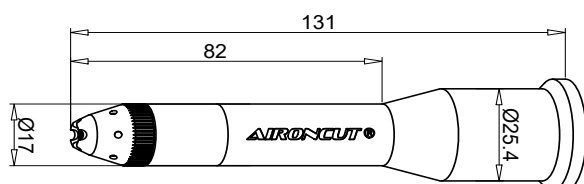
PLASMA CUTTING TORCHES

AIRONCUT®

New high visibility consumable system
to cut inaccessible parts.

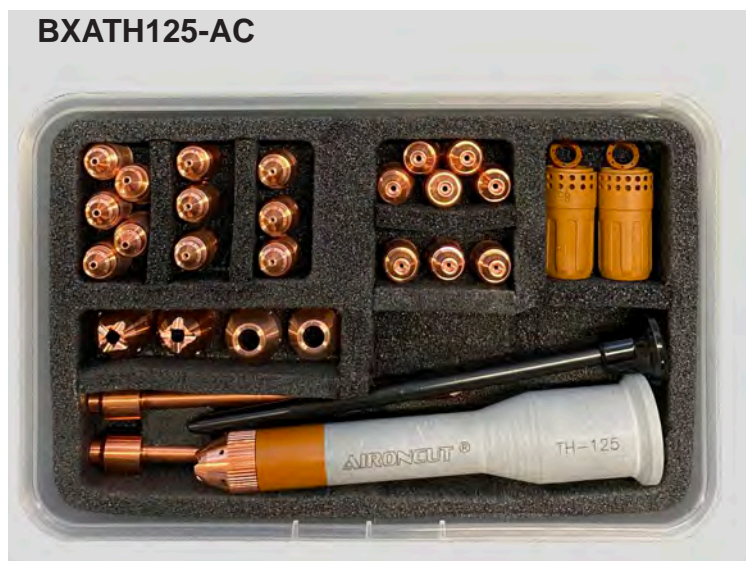


For gouging use maximum 4 bar



53152T Standard Kit 70A Cutting

#	Code	Description	Pkg
1	60042E	Swirl Ring 20-70A	2
2	60040E	Swirl Ring 100A	2
3	53101	Electrode	3
4	53112T	Shield Cup Body	1
5	53022	Vortex Ring	3
6	53031	Tip 20-45A	5
	53032	Tip 70A	5
	53034	Tip 100A	5
7	53047	Shield Cap Cutting	5
8	53036	Tip 50A Gouging	5
	53037	Tip 70A Gouging	5
	53038	Tip 100A Gouging	5
9	53046	Shield Cap Gouging	5
10	53080	Extractor for tip	1

BXATH125-AC**BXATH125-AC****Special Box**

Code	Description	Qty
60042E	Swirl Ring 20-70A	1
60040E	Swirl Ring 100A	1
53101	Electrode	2
53022	Vortex Ring	2
53031	Tip 20-45A	3
53032	Tip 70A	3
53034	Tip 100A	5
53047	Shield Cap Cutting	2
53037	Tip 70A Gouging	3
53038	Tip 100A Gouging	5
53046	Shield Cap Gouging	2
53152T	Standard Kit 70A Cutting	1

IT Util. Pat. Pend.:
N° IT202021000001583

45A	Max Thickness	8 mm
70A	Max Thickness	12.5 mm
100A	Max Thickness	20.0 mm

35+
Years

TEC.MO.®

TH-125

PLASMA CUTTING TORCHES

AIRONCUT®

**New high visibility consumable system
to cut inaccessible parts.**



35+
Years

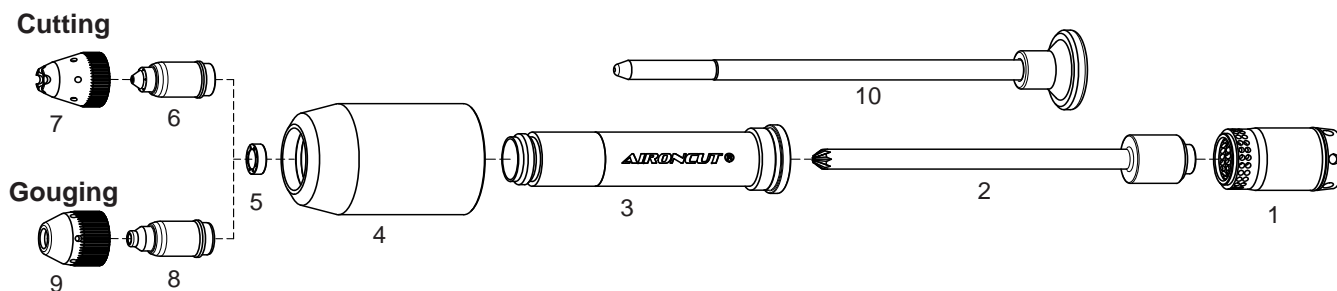
TEC.MO.®

UPH-160

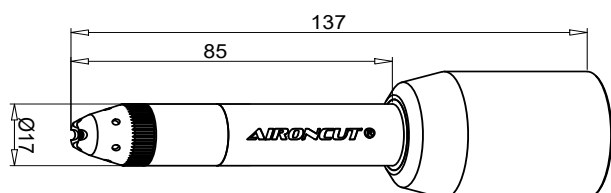
PLASMA CUTTING TORCHES

AIRONCUT®

New high visibility consumable system
to cut inaccessible parts.



For gouging use maximum 4 bar



53252 Standard Kit 70A Cutting

#	Code	Description	Pkg
1	60039E	Swirl Ring	2
2	53201	Electrode	3
3	53211	Shield Cup Body	1
4	53212	Retaining Cap	1
5	53022	Vortex Ring	3
6	53031	Tip 20-45A	5
	53032	Tip 70A	5
	53034	Tip 100A	5
7	53047	Shield Cap Cutting	5
8	53036	Tip 50A Gouging	5
	53037	Tip 70A Gouging	5
	53038	Tip 100A Gouging	5
9	53046	Shield Cap Gouging	5
10	53080	Extractor for tip	1

BXAUPH160-AC**BXAUPH160-AC****Special Box**

Code	Description	Qty
60039E	Swirl Ring	1
53201	Electrode	2
53022	Vortex Ring	2
53031	Tip 20-45A	3
53032	Tip 70A	3
53034	Tip 100A	5
53047	Shield Cap Cutting	2
53037	Tip 70A Gouging	3
53038	Tip 100A Gouging	5
53046	Shield Cap Gouging	2
53252	Standard Kit 70A Cutting	1

IT Util. Pat. Pend.:
N° IT202021000001583

45A	Max Thickness	8 mm
70A	Max Thickness	12.5 mm
100A	Max Thickness	20.0 mm

35+
Years

TEC.MO.®

UPH-160

PLASMA CUTTING TORCHES

AIRONCUT®

New high visibility consumable system
to cut inaccessible parts.



35+
Years

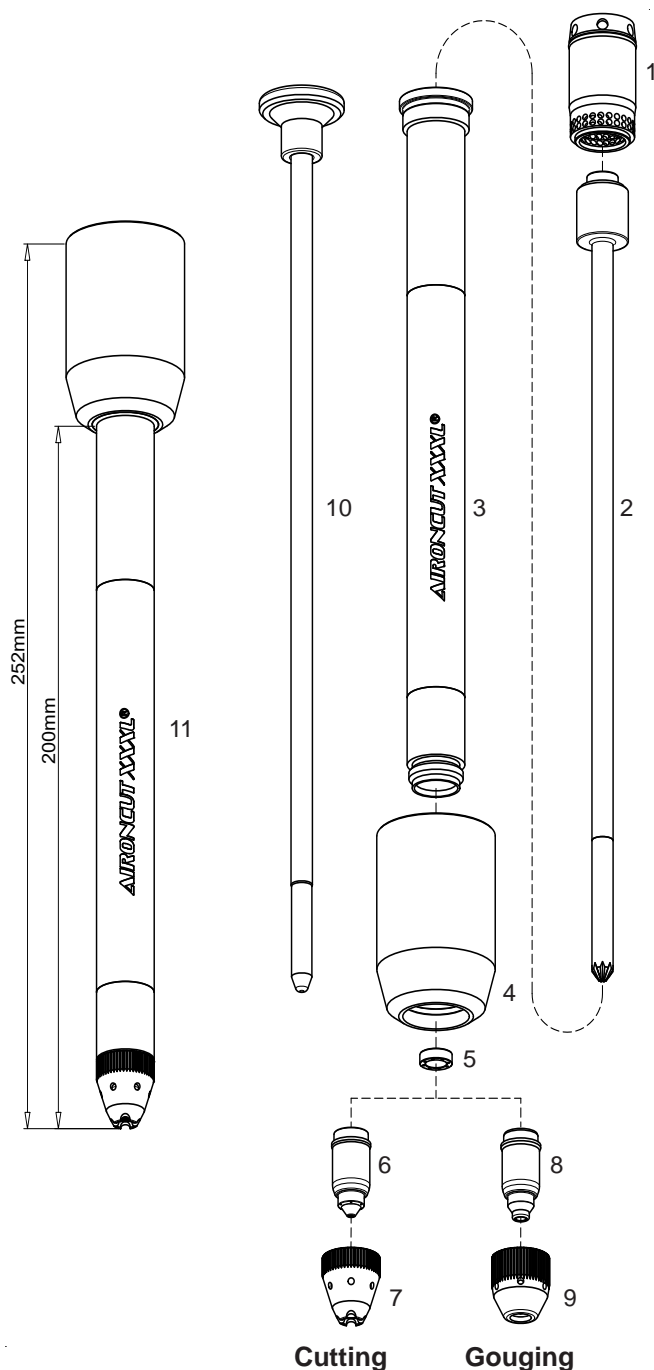
TEC.MO.®

UPH-160

PLASMA CUTTING TORCHES

AIRONCUT XXXL®

**New high visibility consumable system
to cut inaccessible parts.**



#	Code	Description	Pkg
1	60039E	Swirl Ring	2
3	53201L	Electrode **	3
4	53211L	Shield Cup Body	1
5	53212	Retaining Cap	1
5	53022	Vortex Ring	3
6	53031	Tip 20-45A	5
	53032	Tip 70A	5
	53034	Tip 100A	5
7	53047	Shield Cap 20-100A	5
8	53036	Tip 50A Gouging	5
	53037	Tip 70A Gouging	5
	53038	Tip 100A Gouging	5
9	53046	Shield Cap Gouging	5
10	53080L	Extractor for tip	1
11	53252L	Complete Kit 70A Cutting	1



** Item not saleable in USA and Russia, being patented in said country.

Tec.Mo. accepts no responsibility in case of its customer's attempted sale in USA and Russia.



53252L Standard Kit 70A Cutting

IT Util. Pat. Pend.:
N° IT202021000001583

For gouging use maximum 4 bar

45A	Max Thickness	8 mm
70A	Max Thickness	12.5 mm
100A	Max Thickness	20.0 mm

35+
Years

TEC.MO.®

UPH-160

PLASMA CUTTING TORCHES

AIRONCUT XXXL®

**New high visibility consumable system
to cut inaccessible parts.**



35+
Years

TEC.MO.
=

Quality
Technology
Innovation