

PLASMA CUTTING**UNICUT**[®]

Single-use cartridges PLUG and CUT

FLATCUT[®]

with 45 degree inclined arc for cutting Flat

ΔIRONCUT[®]**ΔIRONCUT XXXL**[®]

New high visibility consumable system
to cut inaccessible parts.

UPH
TORCHES

35+
Years

35+
years

TEC.MO.®

UPH-70/105

PLASMA CUTTING TORCHES

UNICUT®

Single-use cartridges PLUG and CUT



Hand



Automation



Gouging



Extended



FLATCUT®



- Easy replacement of consumable parts
- Eliminated the risk of using unsuitable spare parts
- Identification by color based on application
- Reduced number of items in stock



35+
years

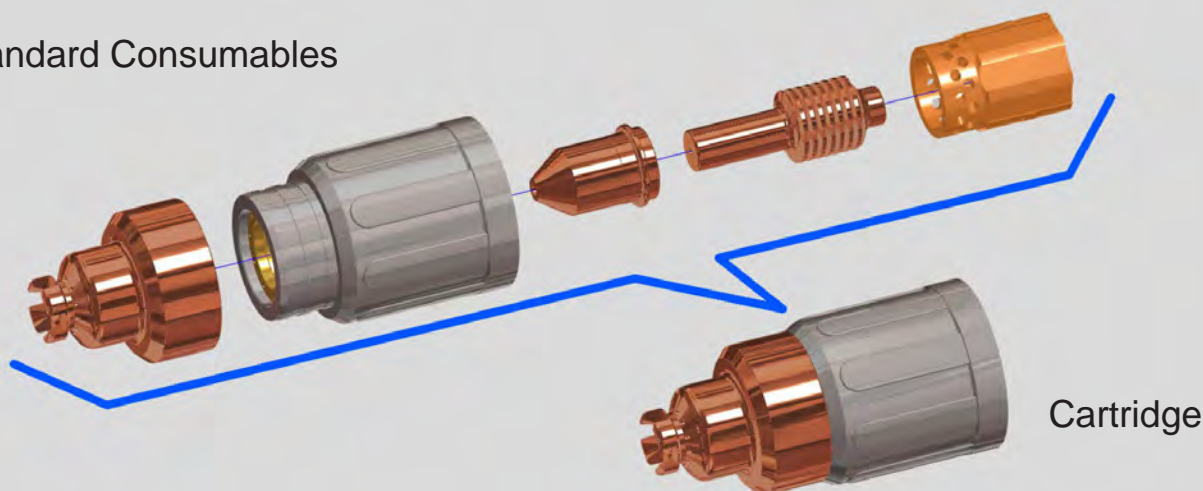
TEC.MO.®

UPH-70/105

PLASMA CUTTING TORCHES

UNICUT®**Single-use cartridges PLUG and CUT**

	Code	Description
Hand 	53601M	Cartridge UPH-70/105 45A hand cutting
	53602M	Cartridge UPH-70/105 70A hand cutting
	53603M	Cartridge UPH-105 85A hand cutting
	53604M	Cartridge UPH-105 105A hand cutting
Automation 	53606M	Cartridge UPM-70/105 45A machine cutting
	53607M	Cartridge UPM-70/105 70A machine cutting
	53608M	Cartridge UPM-105 85A machine cutting
	53609M	Cartridge UPM-105 105A machine cutting
	53671.44	Clip OHMIC (pcs.3)
Gouging 	53611M	Cartridge UPH-70/105 45A Gouging
	53612M	Cartridge UPH-70/105 70A Gouging
	53613M	Cartridge UPH-105 105A Gouging
Extended 	53615M	Cartridge UPH-70/105 45A Extended hand cutting
	53616M	Cartridge UPH-70/105 70A Extended hand cutting
	53617M	Cartridge UPH-105 85A Extended hand cutting
	53618M	Cartridge UPH-105 105A Extended hand cutting
FLATCUT ® 	53630	Cartridge UPH-70/105 40/70A FLATCUT
	53631	Cartridge UPH-70/105 80/105A FLATCUT

Standard Consumables

35+
years

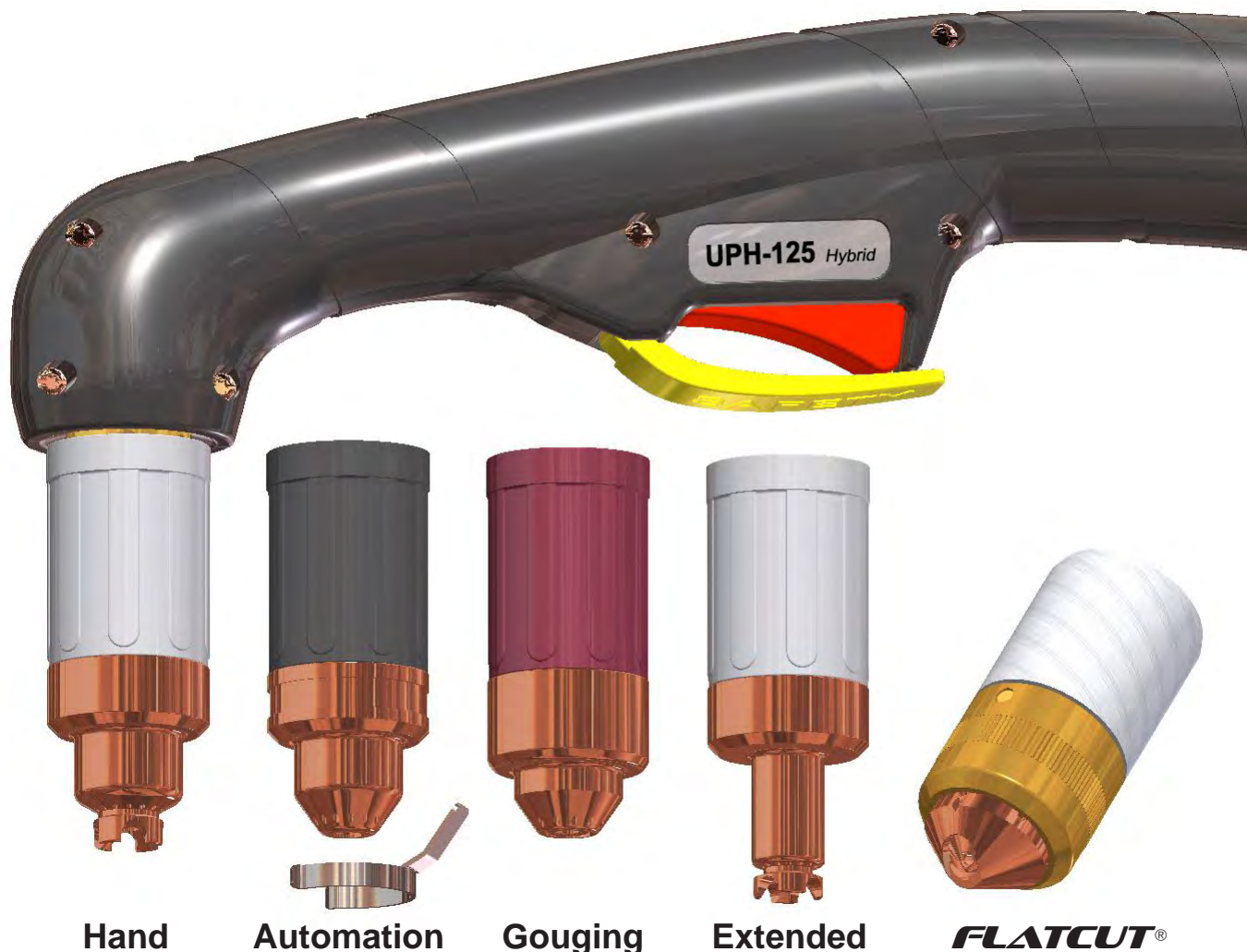
TEC.MO.®

PLASMA CUTTING TORCHES

UPH-125

UNICUT®

Single-use cartridges PLUG and CUT

**NEW**

- Easy replacement of consumable parts
- Eliminated the risk of using unsuitable spare parts
- Identification by color based on application
- Reduced number of items in stock




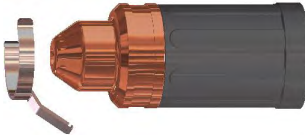
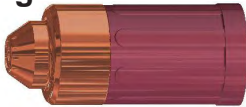

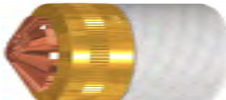
35+
years

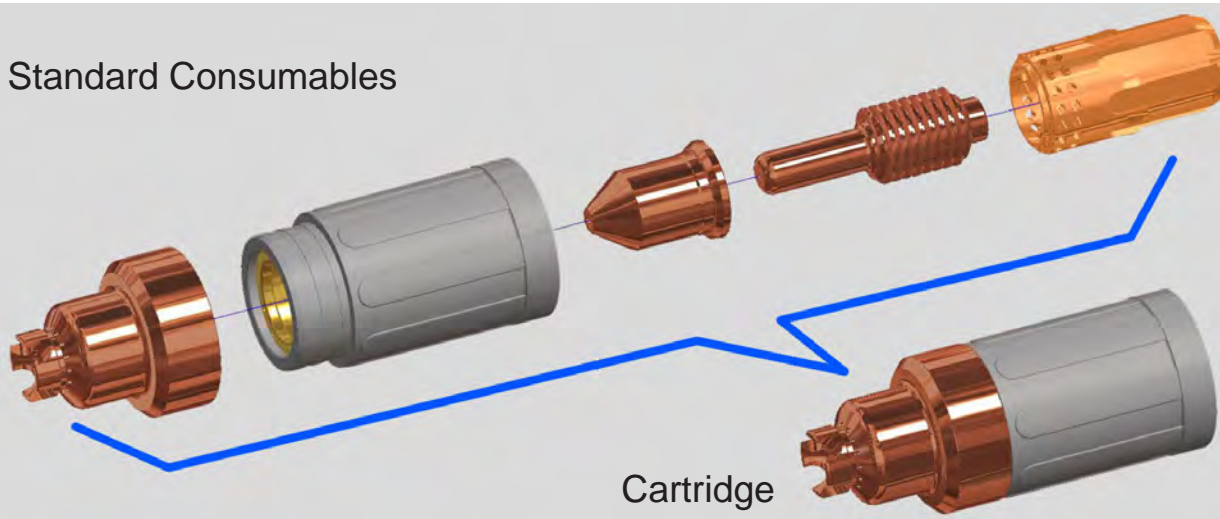
TEC.MO.®

UPH-125

PLASMA CUTTING TORCHES

UNICUT®**Single-use cartridges PLUG and CUT**

	Code	Description
Hand 	53641M	Cartridge UPH-125 45A hand cutting
	53642M	Cartridge UPH-125 65A hand cutting
	53643M	Cartridge UPH-125 85A hand cutting
	53644M	Cartridge UPH-125 105A hand cutting
	53645M	Cartridge UPH-125 125A hand cutting
Automation 	53647M	Cartridge UPM-125 45A machine cutting
	53648M	Cartridge UPM-125 65A machine cutting
	53649M	Cartridge UPM-125 85A machine cutting
	53650M	Cartridge UPM-125 105A machine cutting
	53651M	Cartridge UPM-125 125A machine cutting
	53672.44	Clip OHMIC (pcs.3)
Gouging 	53654M	Cartridge UPH-125 65/85A Gouging
	53655M	Cartridge UPH-125 105A Gouging
	53656M	Cartridge UPH-125 125A Gouging
Extended 	53659M	Cartridge UPH-125 65A Extended hand cutting
	53660M	Cartridge UPH-125 85A Extended hand cutting
	53661M	Cartridge UPH-125 105A Extended hand cutting
	53662M	Cartridge UPH-125 125A Extended hand cutting
FLATCUT ® 	53632	Cartridge UPH-125 40/70A FLATCUT
	53633	Cartridge UPH-125 80/125A FLATCUT

Standard Consumables

35+
years

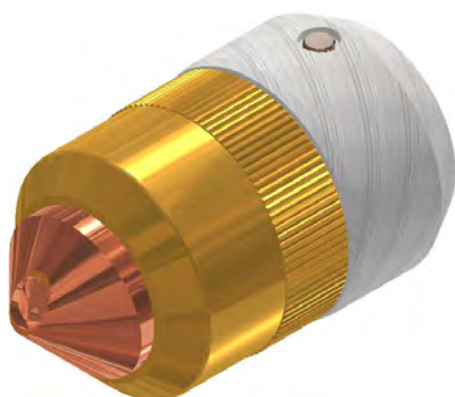
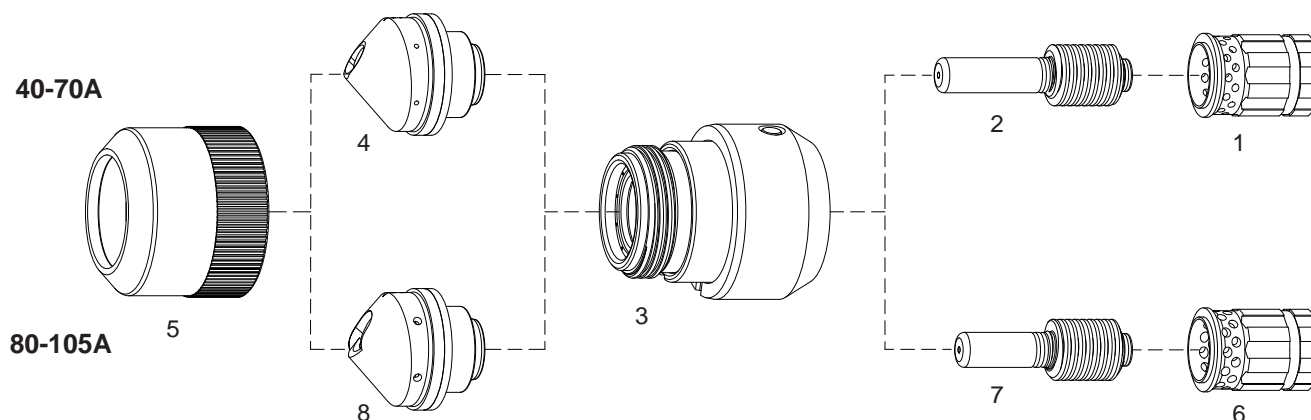
TEC.MO.®

PLASMA CUTTING TORCHES

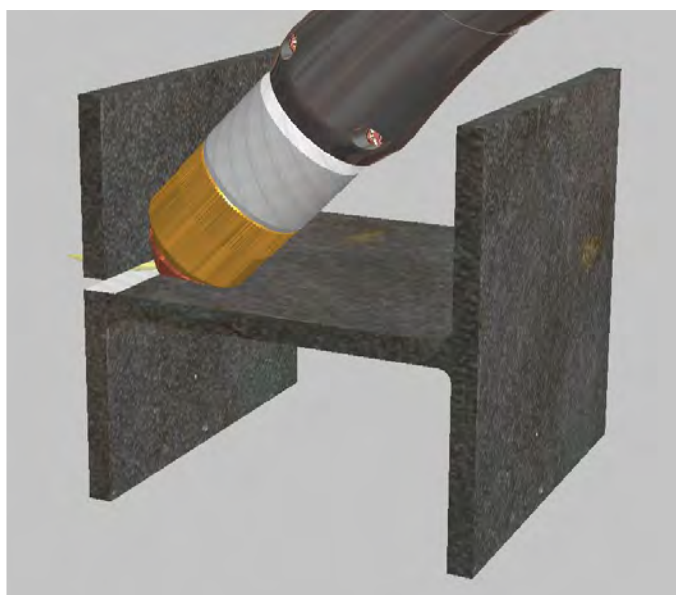
UPH-70/105

FLATCUT®

with 45 degree inclined arc for cutting Flat



#	Code	Description	Pkg
	53501	Standard KIT 40-70A	1
1	60075	Swirl Ring 40-70A	2
2	53519	Electrode 40-70A	5
3	53510	Retaining Cap	1
4	53530	Tip 40/70A	5
5	53541	Retaining Ring	2
	53502	Standard KIT 80-105A	1
6	60076	Swirl Ring 80-105A	2
7	53520	Electrode 80-105A	5
3	53510	Retaining Cap	1
8	53531	Tip 80-105A	5
5	53541	Retaining Ring	2



35+
years

TEC.MO.®

UPH-70/105

PLASMA CUTTING TORCHES

FLATCUT®

Some cutting examples that can be performed
with the FLATCUT

BXAUPH105-FC**BXAUPH105-FC Special Box**

Code	Description	Qty
60075	Swirl Ring 40-70A	1
53519	Electrode 40-70A	5
53530	Tip 40-70A	5
60076	Swirl Ring 80-105A	1
53520	Electrode 80-105A	5
53531	Tip 80-105A	5
53502	Standard KIT 80-105A	1

BXDUPH70-FC**BXDUPH70-FC Mini Kit 40-70A**

Code	Description	Qty
60075	Swirl Ring 40-70A	1
53519	Electrode 40-70A	3
53510	Retaining Cap	1
53530	Tip 40-70A	3
53541	Retaining Ring	1

BXDUPH105-FC**BXDUPH105-FC Mini Kit 80-105A**

Code	Description	Qty
60076	Swirl Ring 80-105A	1
53520	Electrode 80-105A	3
53510	Retaining Cap	1
53531	Tip 80-105A	3
53541	Retaining Ring	1

35+
years

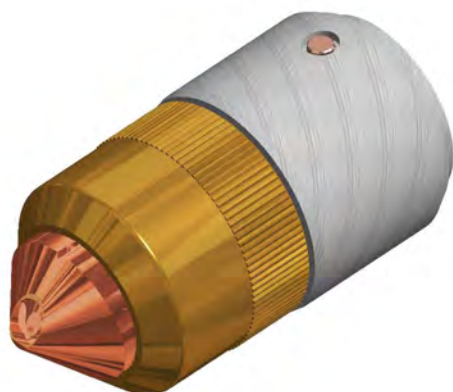
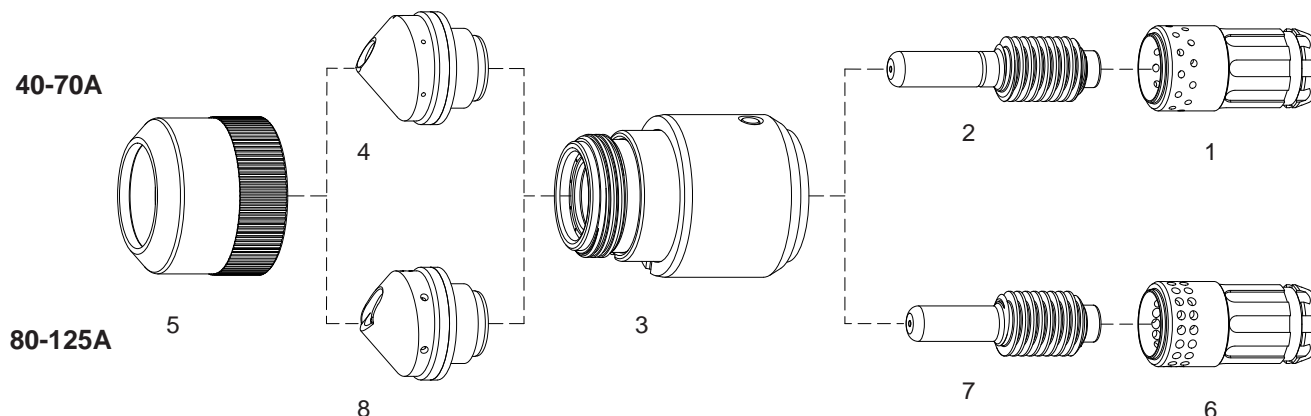
TEC.MO.®

PLASMA CUTTING TORCHES

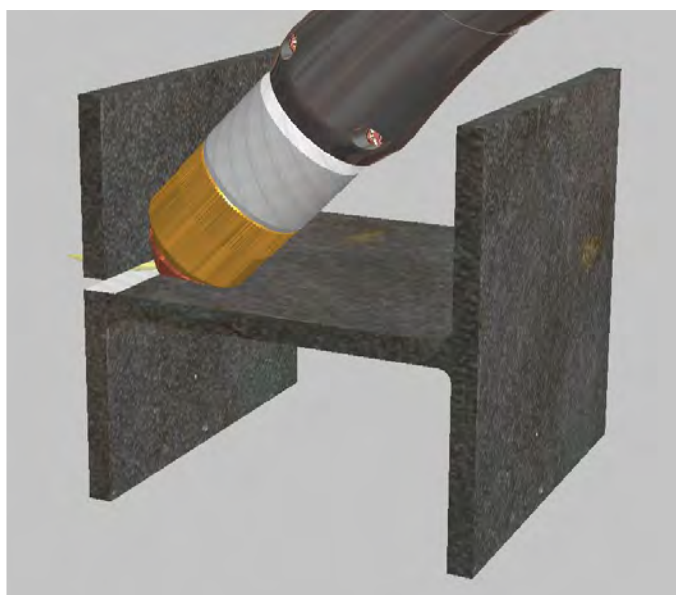
UPH-125

FLATCUT®

with 45 degree inclined arc for cutting Flat



#	Code	Description	Pkg
	53504	Standard KIT 40-70A	1
1	60062	Swirl Ring 40-70A	2
2	53521	Electrode 40-70A	5
3	53511	Retaining Cap	1
4	53532	Tip 40-70A	5
5	53541	Retaining Ring	2
	53505	Standard KIT 80-125A	1
6	60063	Swirl Ring 80-125A	2
7	52677	Electrode 80-125A	5
3	53511	Retaining Cap	1
8	53533	Tip 80-125A	5
5	53541	Retaining Ring	2



35+
years

TEC.MO.®

UPH-125

PLASMA CUTTING TORCHES

FLATCUT®

Some cutting examples that can be performed
with the FLATCUT

BXAUPH125-FC**BXAUPH125-FC Special Box**

Code	Description	Qty
60062	Swirl Ring 40-70A	1
53521	Electrode 40-70A	5
53532	Tip 40-70A	5
60063	Swirl Ring 80-125A	1
52677	Electrode 80-125A	5
53533	Tip 80-125A	5
53505	Standard KIT 80-125A	1

BXDUPH125-70FC**BXDUPH125-70FC Mini Kit 40-70A**

Code	Description	Qty
60062	Swirl Ring 40-70A	1
53521	Electrode 40-70A	3
53511	Retaining Cap	1
53532	Tip 40-70A	3
53541	Retaining Ring	1

BXDUPH125-125FC**BXDUPH125-125FC Mini Kit 80-125A**

Code	Description	Qty
60063	Swirl Ring 80-125A	1
52677	Electrode 80-125A	3
53511	Retaining Cap	1
53533	Tip 80-125A	3
53541	Retaining Ring	1

35+
years

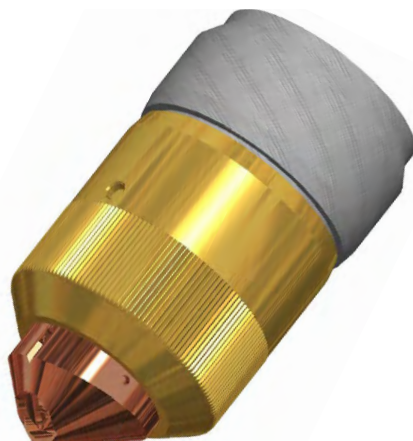
TEC.MO.®

UPH-160

PLASMA CUTTING TORCHES

FLATCUT®

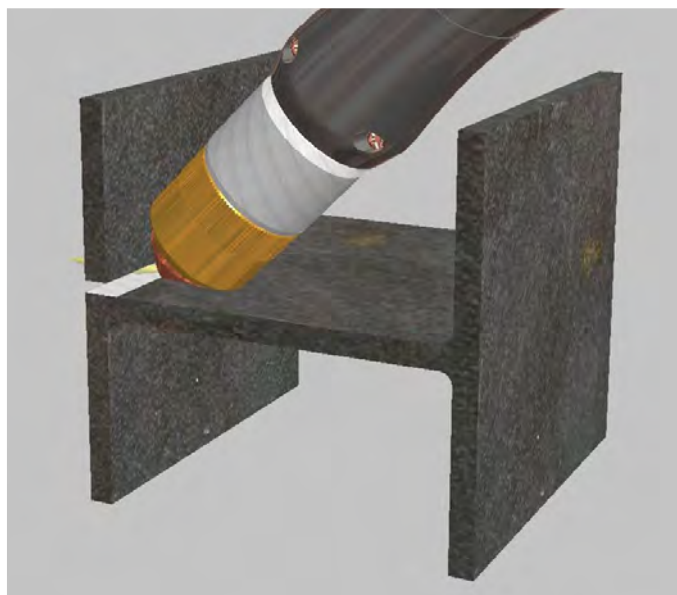
with 45 degree inclined arc for cutting Flat



Code	Description	Pkg
53637	Standard KIT 85-125A	1
53638	Standard KIT 130-160A	1

BXEUPH-160FC**BXEUPH-160FC Kit 85-160A**

Code	Description	Qty
53544	Electrode with Swirl Ring	1
53545	Retaining Cap	1
53535	Tip 85-125A	1
53536	Tip 130-160A	1
53543	Retaining Ring	1



35+
Years

35+
Years

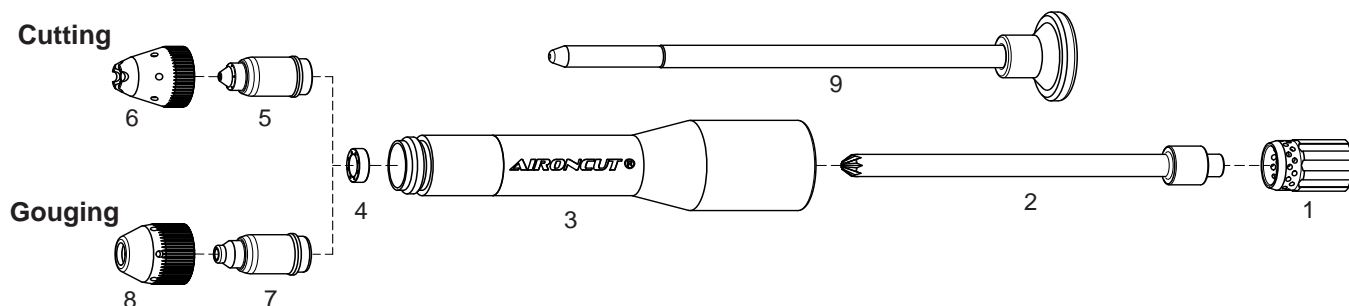
TEC.MO.®

UPH-70

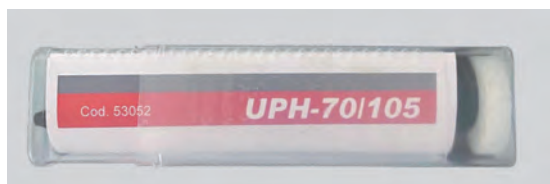
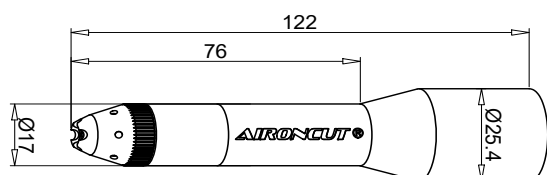
PLASMA CUTTING TORCHES

AIRONCUT®

New high visibility consumable system
to cut inaccessible parts.



For gouging use maximum 4 bar



53052 Standard Kit 70A Cutting

#	Code	Description	Pkg
1	60041E	Swirl Ring 20-70A	2
2	53001	Electrode	3
3	53012	Shield Cup Body	1
4	53022	Vortex Ring	3
5	53031	Tip 20-45A	5
	53032	Tip 70A	5
6	53047	Shield Cap Cutting	5
7	53036	Tip 50A Gouging	5
	53037	Tip 70A Gouging	5
8	53046	Shield Cap Gouging	5
9	53080	Extractor for tip	1

BXAUPH70-AC**BXAUPH70-AC****Special Box**

Code	Description	Qty
60041E	Swirl Ring 20-70A	1
53001	Electrode	2
53022	Vortex Ring	2
53031	Tip 20-45A	3
53032	Tip 70A	5
53047	Shield Cap Cutting	2
53036	Tip 50A Gouging	3
53037	Tip 70A Gouging	5
53046	Shield Cap Gouging	2
53052	Standard Kit 70A Cutting	1

IT Util. Pat. Pend.:
N° IT202021000001583

45A Max Thickness 8 mm
70A Max Thickness 12.5 mm

35+
Years

TEC.MO.®

UPH-70

PLASMA CUTTING TORCHES

AIRONCUT®

**New high visibility consumable system
to cut inaccessible parts.**



35+
Years

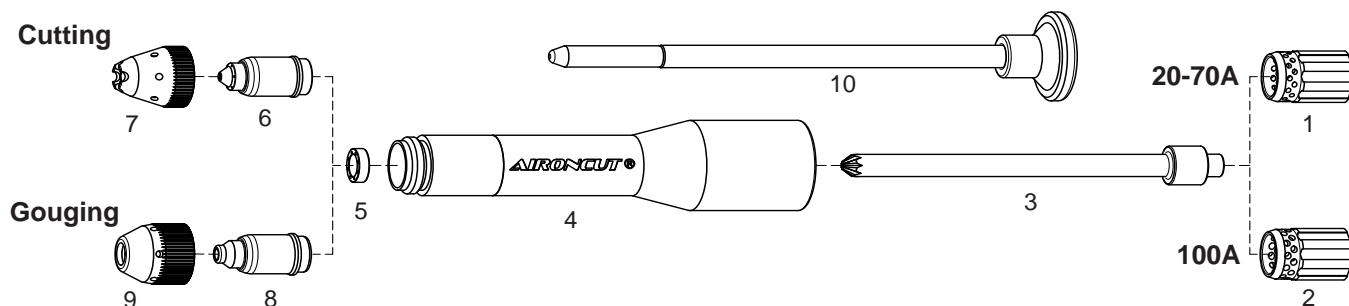
TEC.MO.®

PLASMA CUTTING TORCHES

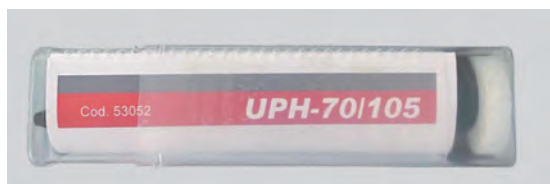
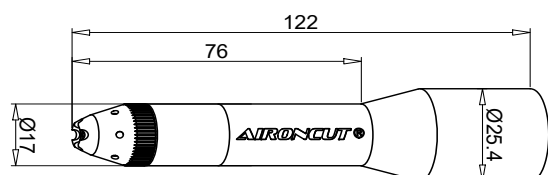
UPH-105

AIRONCUT®

New high visibility consumable system
to cut inaccessible parts.



For gouging use maximum 4 bar



53052 Standard Kit 70A Cutting

#	Code	Description	Pkg
1	60041E	Swirl Ring 20-70A	2
2	60024E	Swirl Ring 100A	2
3	53001	Electrode	3
4	53012	Shield Cup Body	1
5	53022	Vortex Ring	3
6	53031	Tip 20-45A	5
	53032	Tip 70A	5
	53034	Tip 100A	5
7	53047	Shield Cap Cutting	5
8	53036	Tip 50A Gouging	5
	53037	Tip 70A Gouging	5
	53038	Tip 100A Gouging	5
9	53046	Shield Cap Gouging	5
10	53080	Extractor for tip	1

BXAUPH105-AC**BXAUPH105-AC****Special Box**

Code	Description	Qty
60041E	Swirl Ring 20-70A	1
60024E	Swirl Ring 100A	1
53001	Electrode	2
53022	Vortex Ring	2
53031	Tip 20-45A	3
53032	Tip 70A	3
53034	Tip 100A	5
53047	Shield Cap Cutting	2
53037	Tip 70A Gouging	3
53038	Tip 100A Gouging	5
53046	Shield Cap Gouging	2
53052	Standard Kit 70A Cutting	1

IT Util. Pat. Pend.:
N° IT202021000001583

45A	Max Thickness	8 mm
70A	Max Thickness	12.5 mm
100A	Max Thickness	20.0 mm

35+
Years

TEC.MO.®

UPH-105

PLASMA CUTTING TORCHES

AIRONCUT®

**New high visibility consumable system
to cut inaccessible parts.**



35+
Years

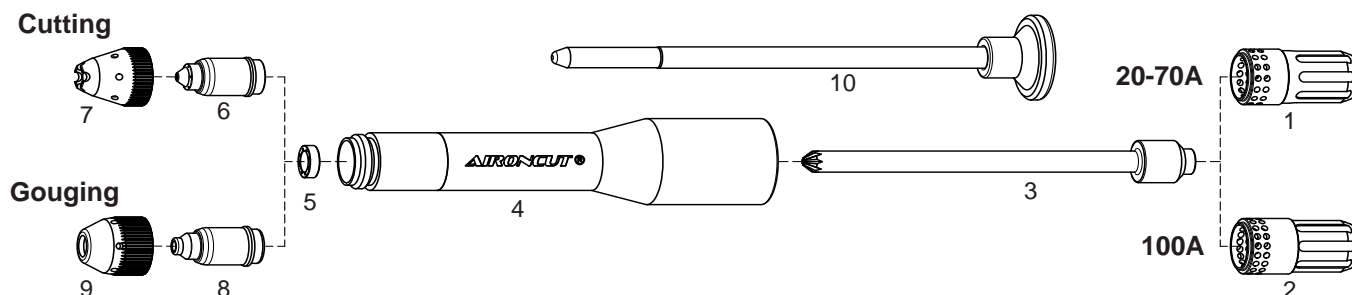
TEC.MO.®

UPH-125

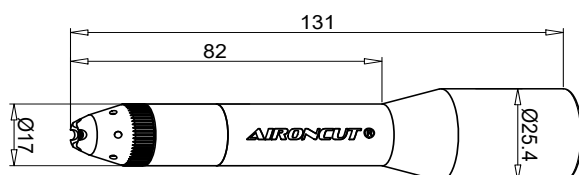
PLASMA CUTTING TORCHES

AIRONCUT®

New high visibility consumable system
to cut inaccessible parts.



For gouging use maximum 4 bar



53152 Standard Kit 70A Cutting

#	Code	Description	Pkg
1	60042E	Swirl Ring 20-70A	2
2	60040E	Swirl Ring 100A	2
3	53101	Electrode	3
4	53112	Shield Cup Body	1
5	53022	Vortex Ring	3
6	53031	Tip 20-45A	5
	53032	Tip 70A	5
	53034	Tip 100A	5
7	53047	Shield Cap Cutting	5
8	53036	Tip 50A Gouging	5
	53037	Tip 70A Gouging	5
	53038	Tip 100A Gouging	5
9	53046	Shield Cap Gouging	5
10	53080	Extractor for tip	1

BXAUPH125-AC**BXAUPH125-AC****Special Box**

Code	Description	Qty
60042E	Swirl Ring 20-70A	1
60040E	Swirl Ring 100A	1
53101	Electrode	2
53022	Vortex Ring	2
53031	Tip 20-45A	3
53032	Tip 70A	3
53034	Tip 100A	5
53047	Shield Cap Cutting	2
53037	Tip 70A Gouging	3
53038	Tip 100A Gouging	5
53046	Shield Cap Gouging	2
53152	Standard Kit 70A Cutting	1

IT Util. Pat. Pend.:
N° IT202021000001583

45A	Max Thickness	8 mm
70A	Max Thickness	12.5 mm
100A	Max Thickness	20.0 mm

35+
Years

TEC.MO.®

UPH-125

PLASMA CUTTING TORCHES

AIRONCUT®

New high visibility consumable system
to cut inaccessible parts.



35+
Years

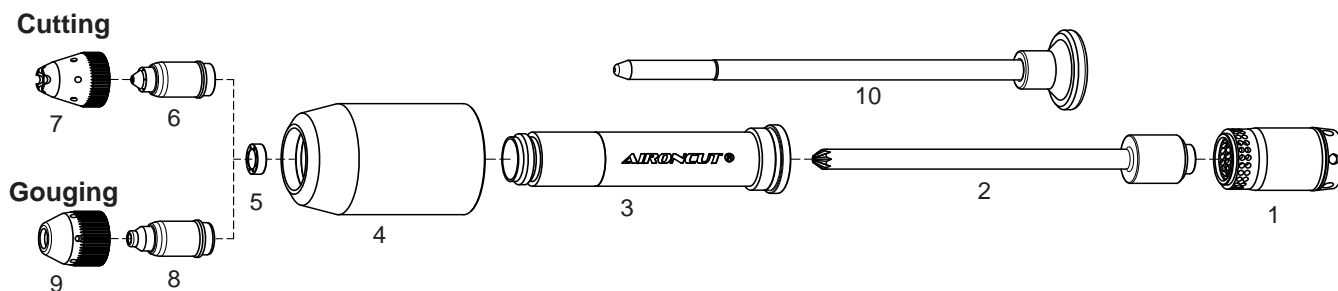
TEC.MO.®

UPH-160

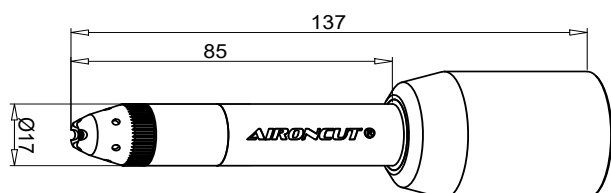
PLASMA CUTTING TORCHES

AIRONCUT®

New high visibility consumable system
to cut inaccessible parts.



For gouging use maximum 4 bar



53252 Standard Kit 70A Cutting

#	Code	Description	Pkg
1	60039E	Swirl Ring	2
2	53201	Electrode	3
3	53211	Shield Cup Body	1
4	53212	Retaining Cap	1
5	53022	Vortex Ring	3
6	53031	Tip 20-45A	5
	53032	Tip 70A	5
	53034	Tip 100A	5
7	53047	Shield Cap Cutting	5
8	53036	Tip 50A Gouging	5
	53037	Tip 70A Gouging	5
	53038	Tip 100A Gouging	5
9	53046	Shield Cap Gouging	5
10	53080	Extractor for tip	1

BXAUPH160-AC**BXAUPH160-AC****Special Box**

Code	Description	Qty
60039E	Swirl Ring	1
53201	Electrode	2
53022	Vortex Ring	2
53031	Tip 20-45A	3
53032	Tip 70A	3
53034	Tip 100A	5
53047	Shield Cap Cutting	2
53037	Tip 70A Gouging	3
53038	Tip 100A Gouging	5
53046	Shield Cap Gouging	2
53252	Standard Kit 70A Cutting	1

IT Util. Pat. Pend.:
N° IT202021000001583

45A	Max Thickness	8 mm
70A	Max Thickness	12.5 mm
100A	Max Thickness	20.0 mm

35+
Years

TEC.MO.®

UPH-160

PLASMA CUTTING TORCHES

AIRONCUT®

**New high visibility consumable system
to cut inaccessible parts.**



35+
Years

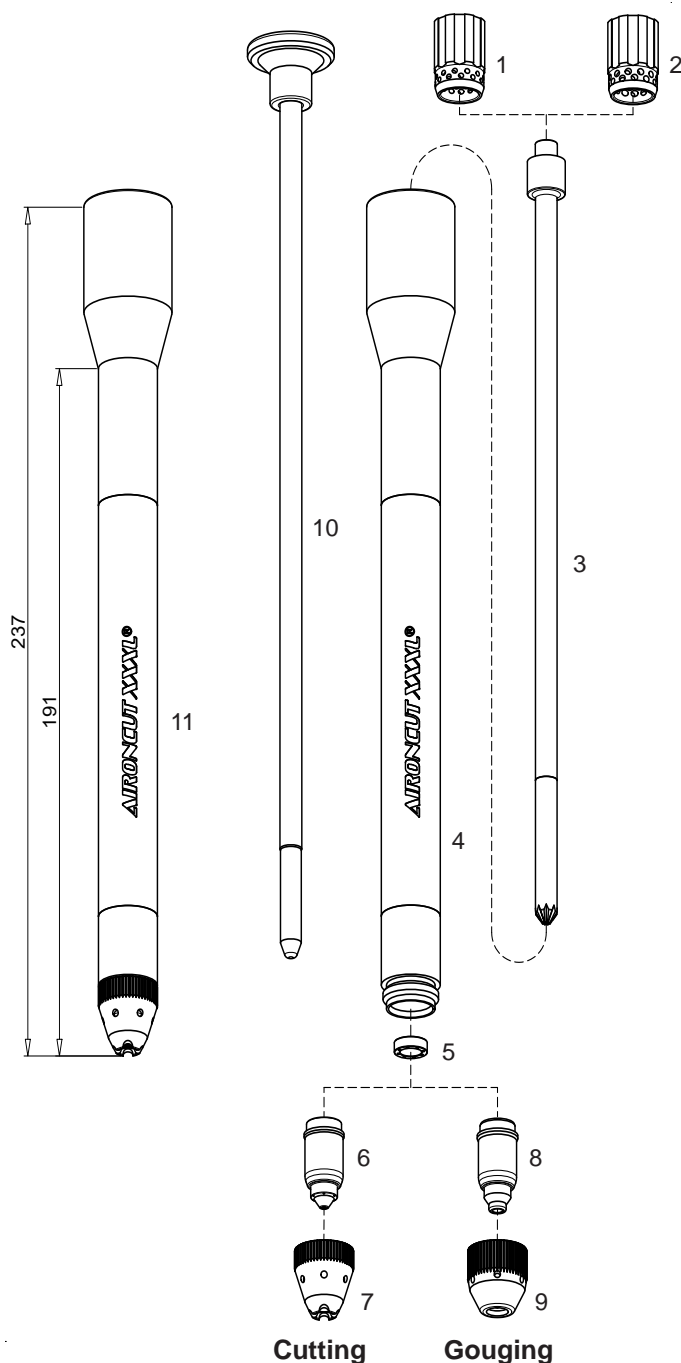
TEC.MO.®

UPH-70/105

PLASMA CUTTING TORCHES

AIRONCUT XXXL®

**New high visibility consumable system
to cut inaccessible parts.**



#	Code	Description	Pkg
1	60041E	Swirl Ring 20-70A	2
2	60024E	Swirl Ring 100A	2
3	53001L	Electrode **	3
4	53012L	Shield Cup Body	1
5	53022	Vortex Ring	3
6	53031	Tip 20-45A	5
	53032	Tip 70A	5
	53034	Tip 100A	5
7	53047	Shield Cap 20-100A	5
8	53036	Tip 50A Gouging	5
	53037	Tip 70A Gouging	5
	53038	Tip 100A Gouging	5
9	53046	Shield Cap Gouging	5
10	53080L	Extractor for tip	1
11	53052L	Complete Kit 70A Cutting	1



** Item not saleable in USA and Russia, being patented in said country.

Tec.Mo. accepts no responsibility in case of its customer's attempted sale in USA and Russia.



53052L Standard Kit 70A Cutting

IT Util. Pat. Pend.:
N° IT202021000001583

For gouging use maximum 4 bar

45A	Max Thickness	8 mm
70A	Max Thickness	12.5 mm
100A	Max Thickness	20.0 mm

35+
Years

TEC.MO.®

UPH-70/105

PLASMA CUTTING TORCHES

AIRONCUT XXXL®

**New high visibility consumable system
to cut inaccessible parts.**



35+
Years

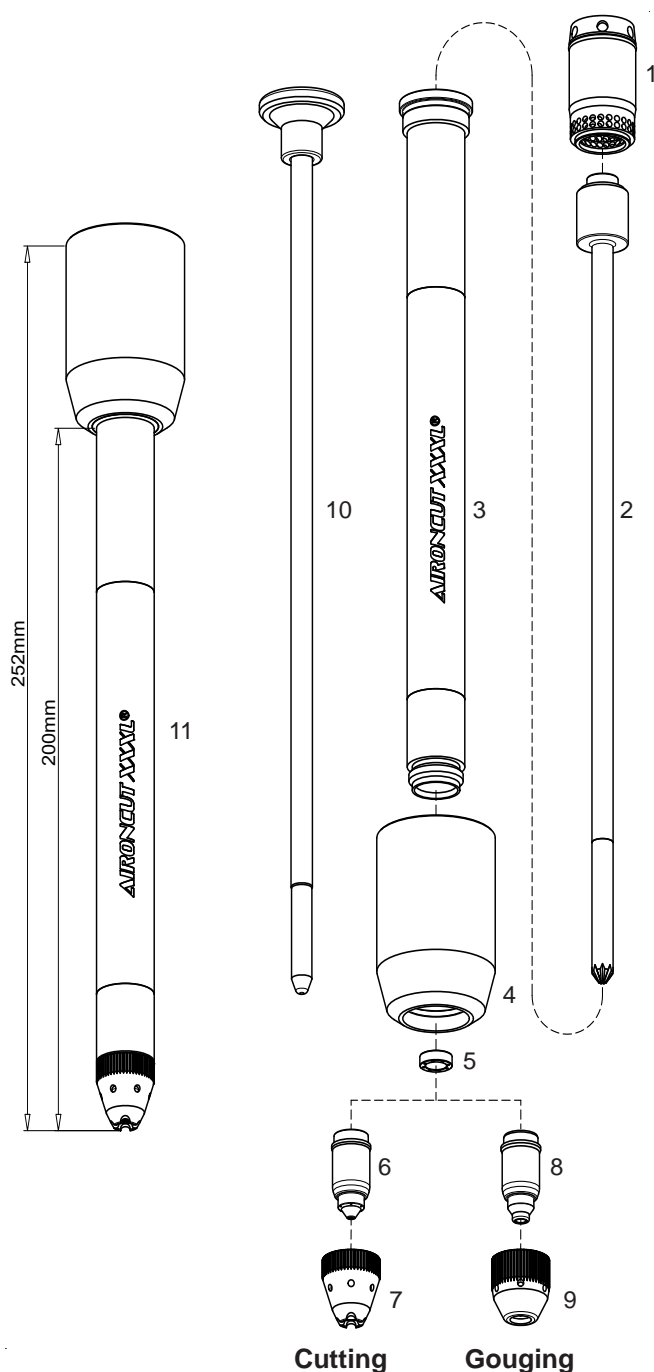
TEC.MO.®

UPH-160

PLASMA CUTTING TORCHES

AIRONCUT XXXL®

**New high visibility consumable system
to cut inaccessible parts.**



#	Code	Description	Pkg
1	60039E	Swirl Ring	2
3	53201L	Electrode **	3
4	53211L	Shield Cup Body	1
5	53212	Retaining Cap	1
5	53022	Vortex Ring	3
6	53031	Tip 20-45A	5
	53032	Tip 70A	5
	53034	Tip 100A	5
7	53047	Shield Cap 20-100A	5
8	53036	Tip 50A Gouging	5
	53037	Tip 70A Gouging	5
	53038	Tip 100A Gouging	5
9	53046	Shield Cap Gouging	5
10	53080L	Extractor for tip	1
11	53252L	Complete Kit 70A Cutting	1



** Item not saleable in USA and Russia, being patented in said country.

Tec.Mo. accepts no responsibility in case of its customer's attempted sale in USA and Russia.



53252L Standard Kit 70A Cutting

IT Util. Pat. Pend.:
N° IT202021000001583

For gouging use maximum 4 bar

45A	Max Thickness	8 mm
70A	Max Thickness	12.5 mm
100A	Max Thickness	20.0 mm

35+
Years

TEC.MO.®

UPH-160

PLASMA CUTTING TORCHES

AIRONCUT XXXL®

**New high visibility consumable system
to cut inaccessible parts.**



35+
Years

TEC.MO.
=

Quality
Technology
Innovation